



Number:RD-YCL PH406066
DATA:2005/09/15-I (REV:A1)

10/100BASE-TX TRANSFORMER MODULES

MODEL NO.: HK-062

FEATURE:

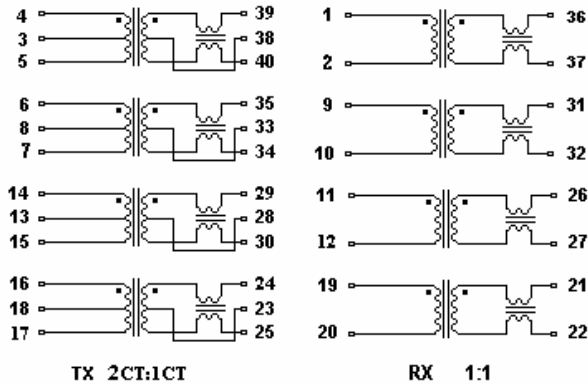
RoHS Compliant

RoHS peak solder rating 260°C

SPECIFICATIONS:AT 25°C

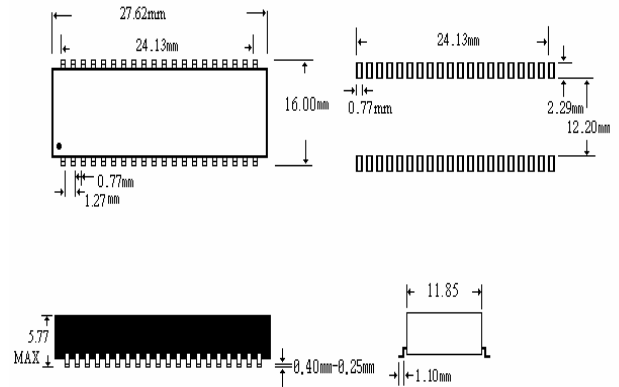
Parts Number	TURNS RATIO (TX/RX) ±3%	OCL uHMIN 8mA bias	Insertion Loss (dB TYP) 0.1-100MHz	Return Loss (dB MIN) MHz		Cross talk (dB TYP) 1~ 100MHZ	Differential to Common Mode Rejection (dB MIN)		HIPOT
				2~30	60~80		1~60MHz	60~100MHz	
HK-062	2CT : 1CT&1:1	350	1.1	18	12	35	40	35	1500 VAC

SCHEMATICS:

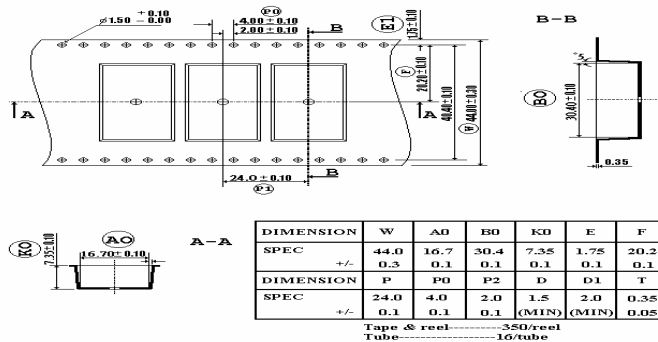


DIMENSION: mm

TOLERANCE: ±0.25

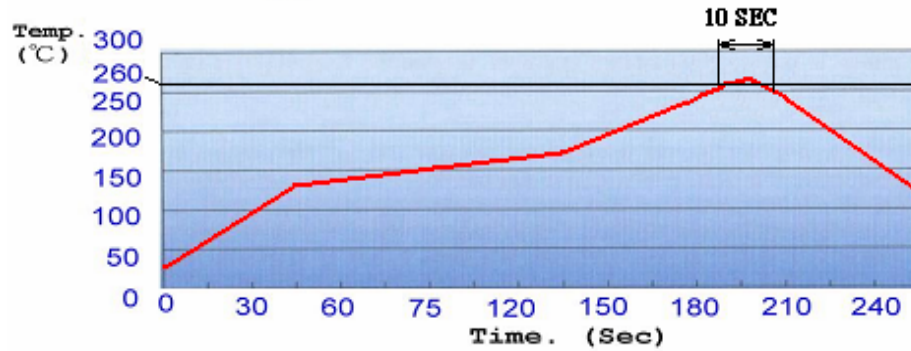


Packing :



MODEL NO.: HK-062

Profile of IR Reflow (Lead Free)



PACKING

1. Tape & Reel : 350pcs / Reel , 1750pcs / Carton
2. Dry Pack : 1pcs
Product Description:(5g Silica Gel Desiccant)
PH: 4-8
Package Materials: Paper(Length 6.5±1cm , Width 5±1cm)
3. Reel Packed By Vacuum
4. Seal Per Jedec

