



NO:RD-Pulse H5004
 DATA:2005/09/12 I (REV:A2)

100/1000 BASE DUAL PORT,SURFACE MOUNT MODULES MODEL NO.: IH-001

FEATURE:

RoHS Compliant

RoHS peak solder rating 260°C

Designed to meet IR requirement

Specifications @ 25°C

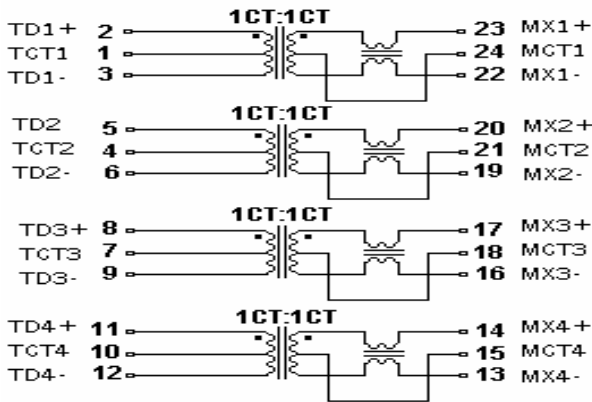
OPERATION TEMP : -40°C ~ + 85°C

Turns Ratio 1CT : 1CT (±2 %)

OCL (uH MIN) 350 100KHZ 100mv

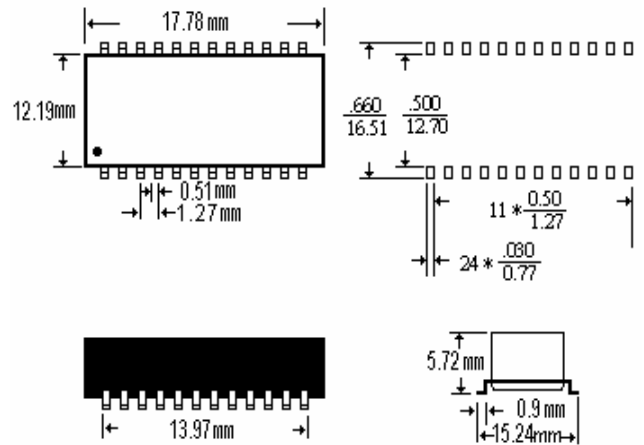
Part Number	Insertion Loss (dB TYP) 1-100MHz	Return loss (dB MIN @100Ω) 1~100 MHz					Common Mode Rejection (dB MIN) 1~100 MHz			Cross talk (dB MIN) 1~100 MHz			Hi pot VAC
		1-30	40	50	60-80	100	30MHz	60MHz	100MHz	30MHz	60MHz	100MHz	
IH-001	-1.0	-18	-14.4	-13.1	-12	-10	-43	-37	-33	-45	-40	-35	1500

SCHEMATICS:

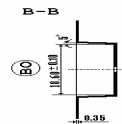
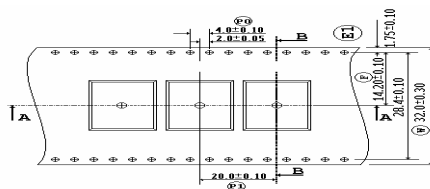


DIMENSION: mm

TOLERANCE:±0.25



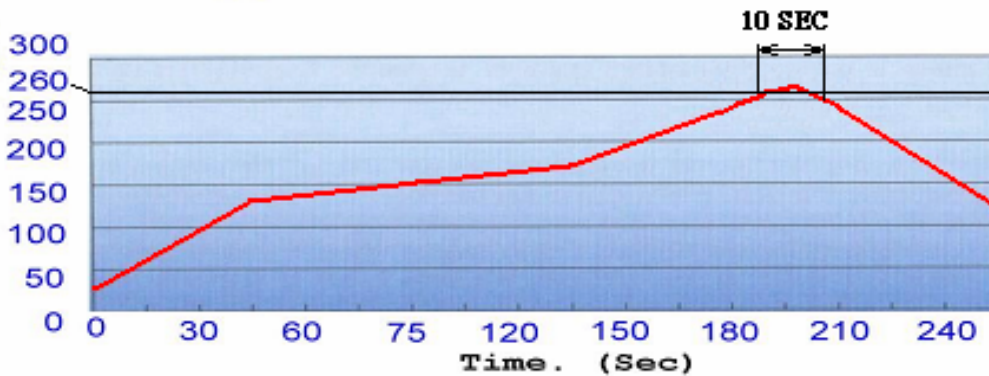
Packing :



W: 32.0±0.30
 P1: 20.0±0.10
 AO: 16.05±0.10
 BO: 18.60±0.10
 KO: 6.22±0.10
 Taps & Reel ---500/reel
 Tube-----28/tube



MODEL NO: IH-001 Profile of IR Reflow (Lead Free)



PACKING

1. Tape & Reel : 500pcs / Reel , 2500pcs / Carton
2. Dry Pack : 1pcs
Product Description:(5g Silica Gel Desiccant)
PH: 4-8
Package Materials: Paper(Length 6.5±1cm , Width 5±1cm)
3. Reel Packed By Vacuum
4. Seal Per Jedec

