



NO: RD-Pulse:H5007
DATE: 2005/09/12 I (REV:A2)

10/100/1000 BASE-T MAGNETICS MODULES

MODEL NO.: IH-002

FEATURE:

RoHS Compliant

RoHS peak solder rating 260°C

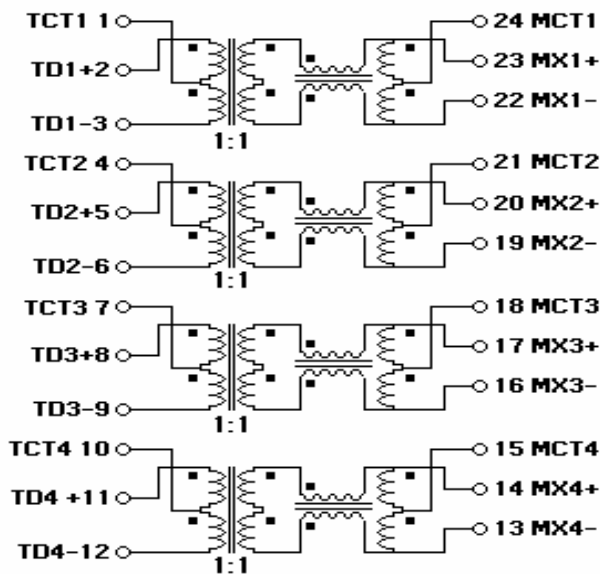
Designed to meet IR requirement

SPECIFICATIONS: AT 25°C

OPERATION TEMP: -40°C~85°C

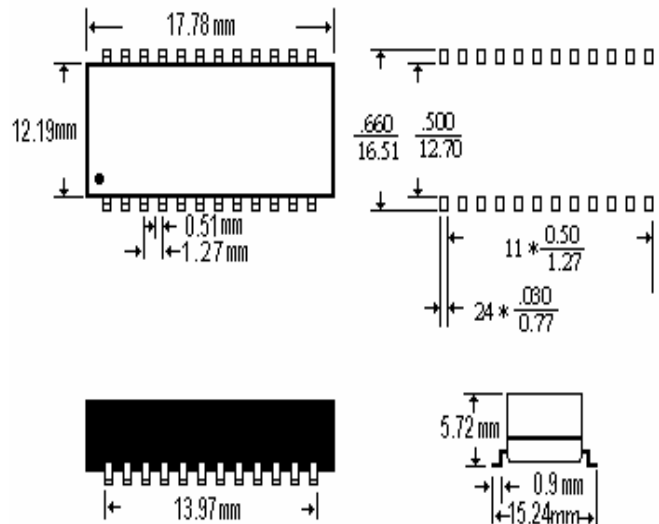
Part Number	Insertion Loss (dB MAX)	Return Loss (dB Min @100Ω)					Differential to Common Mode Rejection (dB MIN)			Cross talk (dB MIN)			Hi pot (Vrms MIN)
		1-30	40	50	60-80	100 MHz	30	60	100 MHz	30	60	100 MHz	
IH-002	1~100 MHz	1-30	40	50	60-80	100 MHz	30	60	100 MHz	30	60	100 MHz	1500
	1.0	-18	-14.4	-13.1	-12	-10	-43	-37	-33	-45	-40	-35	

SCHEMATICS:

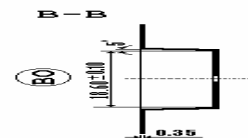
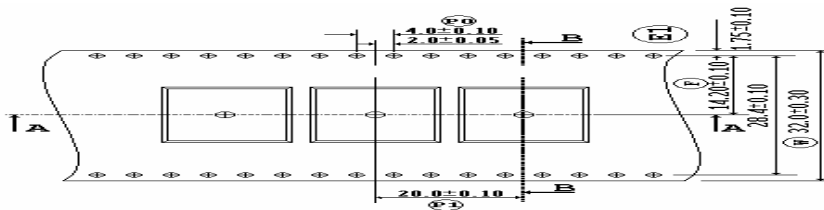


DIMENSION : mm

TOLERANCE:±0.25



Packing:

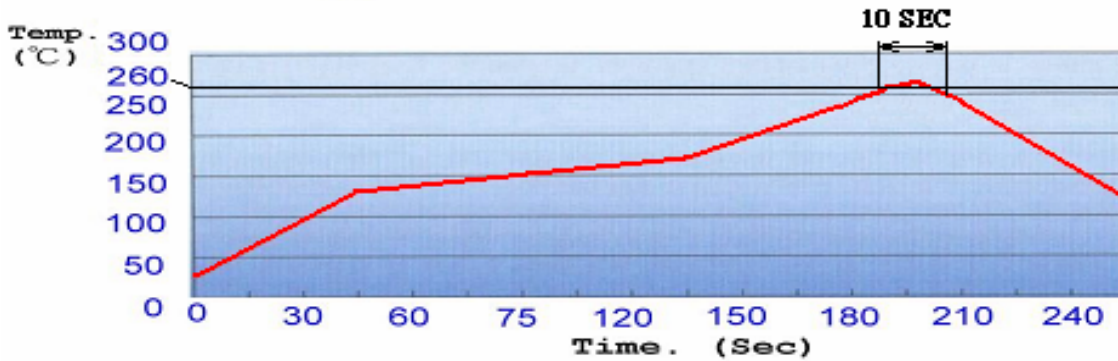


W: 32.0±0.30
P1: 20.0±0.10
AO: 16.05±0.10
BO: 18.60±0.10
KO: 6.22±0.10



NO:RD-IH-SD002

MODEL NO.: IH-002 Profile of IR Reflow (Lead Free)



PACKING	
1.	Tape & Reel : 500pcs / Reel , 2500pcs / Carton
2.	Dry Pack : 1pcs Product Description:(5g Silica Gel Desiccant) PH: 4-8 Package Materials: Paper(Length 6.5±1cm , Width 5±1cm)
3.	Reel Packed By Vocumm
4.	Seal Per Jedec

