



NO: RD-Pulse:H5007  
 DATE: 2005/9/12 I (REV:A1)

# 10/1000 BASE-T MAGNETICS MODULES

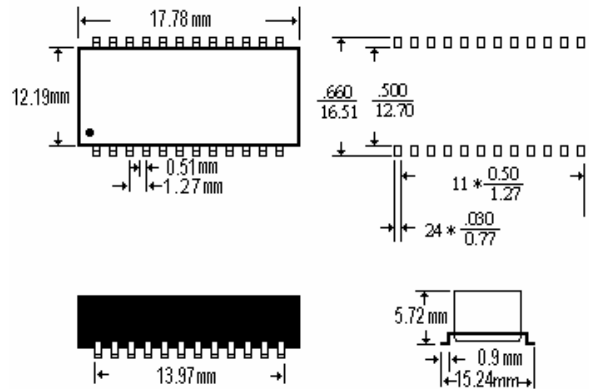
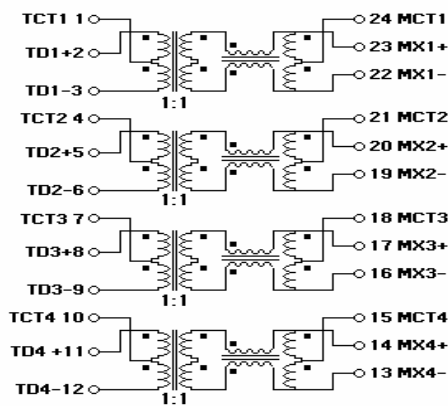
## MODEL NO.: IH-003

**FEATURE:**  
 RoHS Compliant  
 RoHS peak solder rating 260°C  
 DESIGNED TO MEET IR REQUIREMENT  
 SPECIFICATIONS: AT 25°C  
 OPERATION TEMP -40°C~85°C

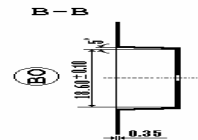
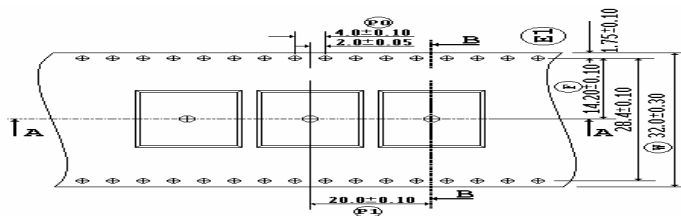
Part Number	Insertion Loss (dB MAX)	Return Loss (dB Min @100Ω)					Differential to Common Mode Rejection (dB MIN)			Cross talk (dB MIN)			Hi pot (Vrms MIN)
		1-30	40	50	60-80	100 MHz	30	60	100 MHz	30	60	100 MHz	
IH-003	-1.2	-18	-14	-13	-12	-10	-43	-37	-33	-45	-40	-35	1500

**SCHEMATICS:**

**DIMENSION:mm TOLERANCE:±0.25**



### Packing :

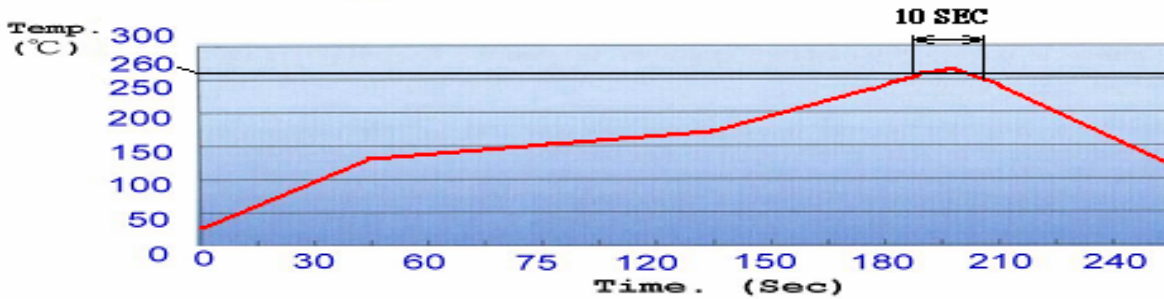


W: 32.0±0.30  
 P1: 20.0±0.10  
 AO: 16.05±0.10  
 BO: 18.60±0.10  
 KO: 6.22±0.10



## MODEL NO.: IH-003

### Profile of IR Reflow (Lead Free)



PACKING	
1.	Tape & Reel : 500pcs / Reel , 2500pcs / Carton
2.	Dry Pack : 1pcs Product Description:(5g Silica Gel Desiccant) PH: 4-8 Package Materials: Paper(Length 6.5±1cm , Width 5±1cm)
3.	Reel Packed By Vocumm
4.	Seal Per Jedec

