



NO:RD-HALO-TGIG-S001NZ H5004
Date:2005/09/12-I (REV:A1)

1000 BASE-T MAGNETICS MODULES

MODEL NO.: IH-006

FEATURE:

RoHS Compliant

RoHS peak solder rating 260°C

DESIGNED TO MEET IR REQUIREMENT

SPECIFICATIONS:AT 25°C

OPERATING TEMP:-40°C ~ +85°C

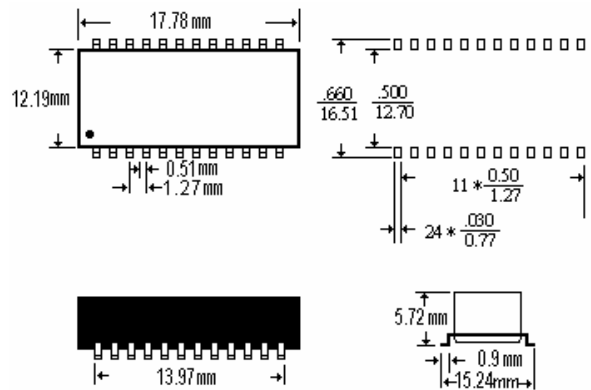
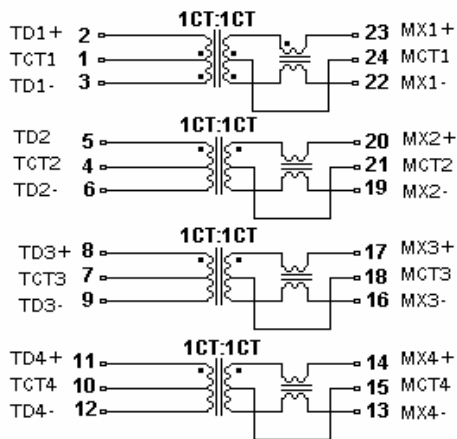
Turns Ratio 1CT : 1CT (±2 %)

OCL (uH MIN) 350 @100KHZ 100mv

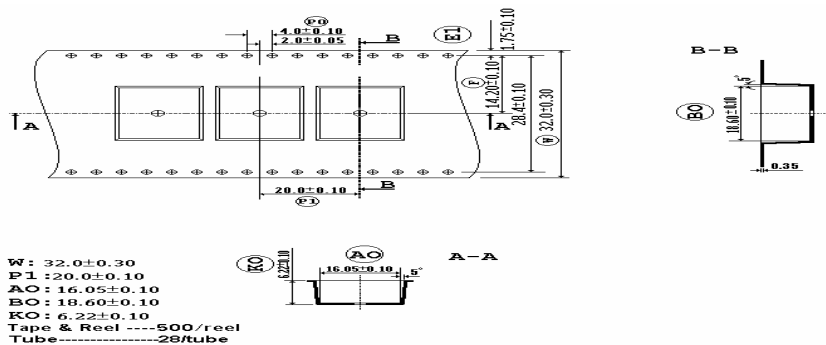
| Part Number | Insertion Loss (dB TYP) 1-100MHz | Return loss (dB MIN @100Ω) 1~100 MHz | | | | Common Mode Rejection (dB MIN) 0.1~ 100MHz | Cross talk (dB MIN) F/ 100MHz | Hi pot VAC |
|-------------|----------------------------------|--------------------------------------|-------|-----|-----|--|-------------------------------|------------|
| | | 1-40 | 60 | 80 | 100 | | | |
| IH-006 | -1.0 | -18 | -14.5 | -12 | -10 | -30 | -33-20 | 1500 |

SCHEMATICS :

DIMENSION: mm TOLERANCE:±0.25

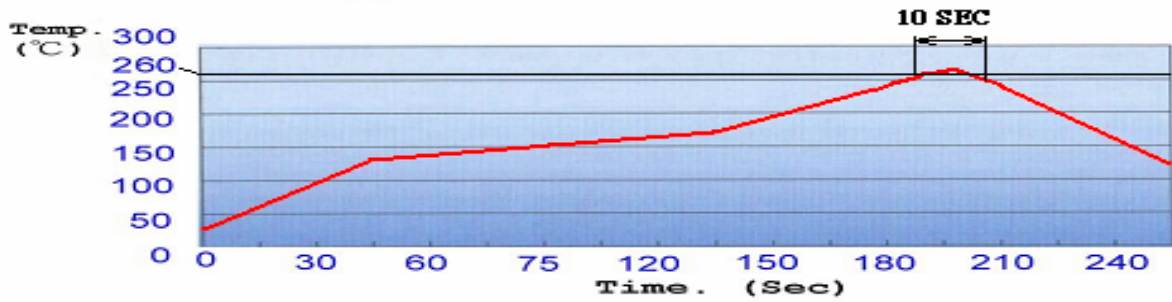


Packing :



MODEL NO.: IH-006

Profile of IR Reflow (Lead Free)



| PACKING | |
|---------|---|
| 1. | Tape & Reel : 500pcs / Reel , 2500pcs / Carton |
| 2. | Dry Pack : 1pcs Product Description:(5g Silica Gel Desiccant) PH: 4-8 Package Materials: Paper(Length 6.5±1cm , Width 5±1cm) |
| 3. | Reel Packed By Vocumm |
| 4. | Seal Per Jedec |

