



NO:RD-FT- H5008
Date:2005/09/12-I (REV:A1)

1000 BASE-T MAGNETICS MODULES

MODEL NO.: IH-007

FEATURE:

RoHS Compliant

RoHS Peak Soldering Temperature : 260

DESIGNED TO MEET IR REQUIREMENT

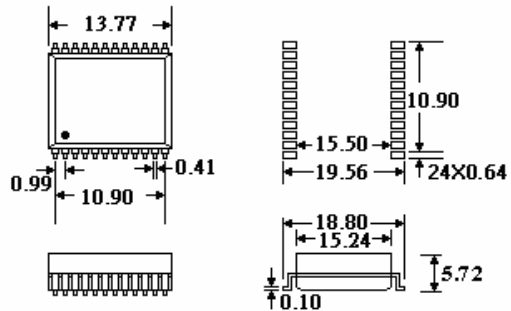
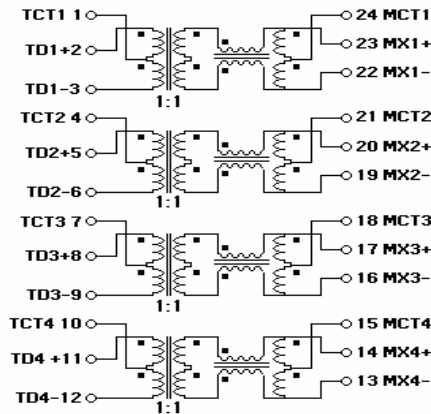
Operating Temperature : 0 ~70

Specifications : At 25

Part Number	Insertion Loss (dB MAX)	Return Loss (dB Min @100Ω)					Differential to Common Mode Rejection (dB MIN)			Cross talk (dB MIN)			Hi pot (Vrms MIN)
		1-30	40	50	60-80	100 MHz	30	60	100 MHz	30	60	100 MHz	
IH-007	1-100 MHz	-18	-14.4	-13.1	-12	-10	-43	-37	-33	-45	-40	-35	1500
	1.0												

SCHEMATICS:

DIMENSION: mm TOLERANCE:±0.25



Profile of IR Reflow (Lead Free)

