



NUMBER:RD-Pulse:H5015
DATE:2005/09/23 I (REV:A4)

1000 BASE-T MAGNETICS MODULES

MODEL NO.: IH-008

FEATURE:

Dual port interface for 10/100/1000 Mbps Ethernet applications

RoHS Compliant

RoHS peak solder rating 260

Designed to meet IR requirement

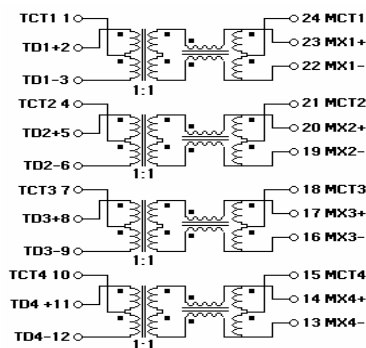
Specifications @ 25

OPERATION TEMP.: -40 ~ +85

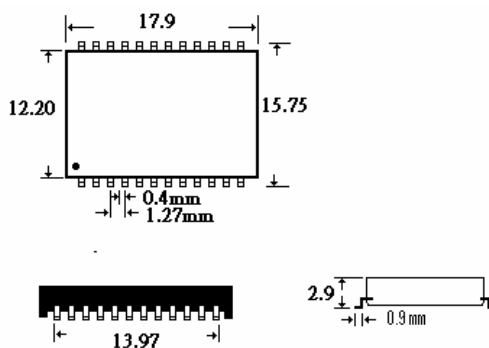
Hi pot (Vrms MIN) : 1500

Part Number	Insertion Loss (dB MAX)	Return Loss (dB Min @100Ω)					Differential to Common Mode Rejection (dB MIN)			Cross talk (dB MIN)		
		1-30	40	50	60-80	100 MHz	30	60	100 MHz	30	60	100 MHz
IH-008	1.0	-18	-14.4	-13.1	-12	-10	-43	-37	-33	-45	-40	-35

SCHEMATICS:

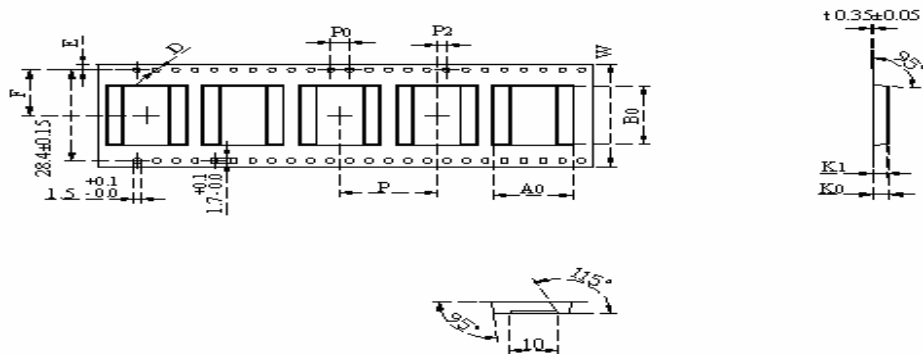


DIMENSION : mm TOLERANCE:±0.25



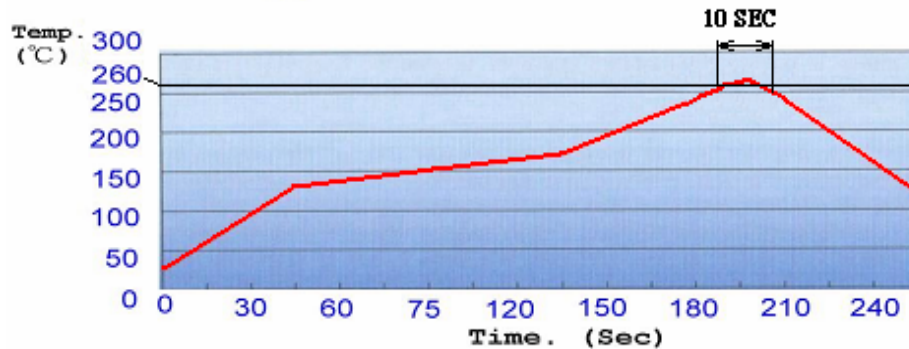
Packing :

ITEM	W	A0	B0	K0	K1	P	E	F	D	D1	P0	P2
DIM	32 ^{+0.3} _{-0.3}	16.3 ^{+0.1} _{-0.1}	18.3 ^{+0.1} _{-0.1}	3.5 ^{+0.1} _{-0.1}	2.9 ^{+0.1} _{-0.1}	2.0 ^{+0.1} _{-0.1}	1.75 ^{+0.1} _{-0.1}	14.2 ^{+0.1} _{-0.1}	1.5 ^{+0.1} _{-0.1}	0.0 ^{+0.25} _{-0.0}	4.0 ^{+0.1} _{-0.1}	2.0 ^{+0.1} _{-0.1}



MODEL NO.: IH-008

Profile of IR Reflow (Lead Free)



PACKING

1. Tape & Reel : 800pcs / Reel , 4000pcs / Carton
2. Dry Pack : 1pcs
Product Description:(5g Silica Gel Desiccant)
PH: 4-8
Package Materials: Paper(Length 6.5±1cm , Width 5±1cm)
3. Reel Packed By Vacuum
4. Seal Per Jedec

