



NO:RD-PCA:EPG4001AS  
DATE:2005/09/13-I (REV:A1)

# 1000 BASE-T MODULES

## MODEL NO.: IH-010

### FEATURE:

RoHS Compliant

RoHS peak soldering rating: 260°C

DESIGNED TO MEET IR REQUIREMENT

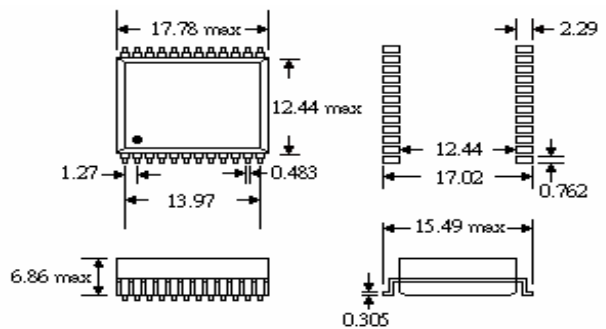
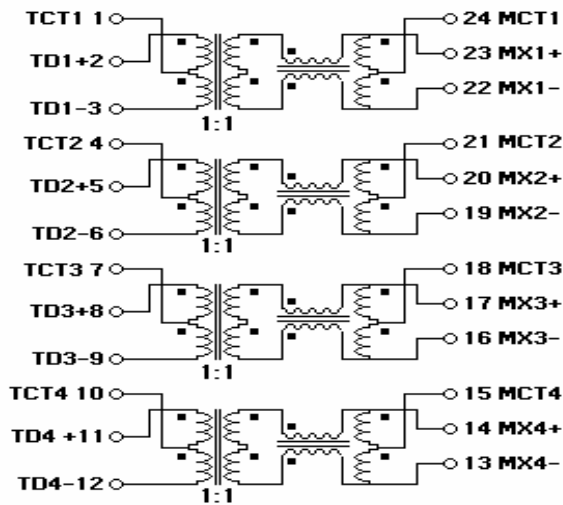
SPECIFICATIONS: AT 25°C

OCL: 350 uH @100KHz, 100mV / 8mA DC bias

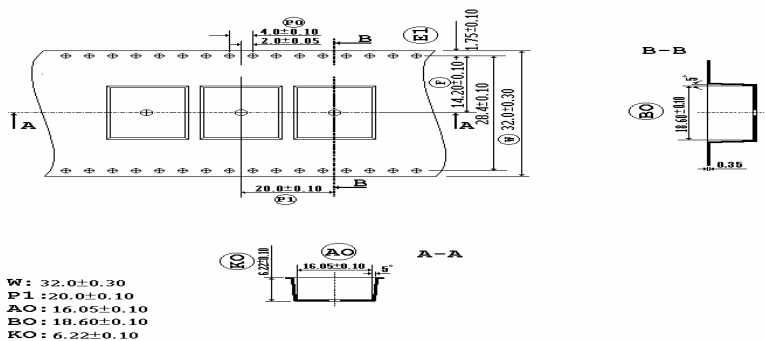
Part Number	Insertion Loss (dB MAX)			Return Loss (dB Min @100Ω)				Differential to Common Mode Rejection (dB MIN)				Cross talk (dB MIN)			CMRR (dB MIN)
	1-65	65-100	100-125	1-40	60	80	100	1	30	50	100	1-40	60	100	1-80 MHz
IH-010	-1	-1.1	-1.5	-18	-15	-12	-10	-60	-40	-35	-30	-40	-35	-30	-30

SCHEMATICS:

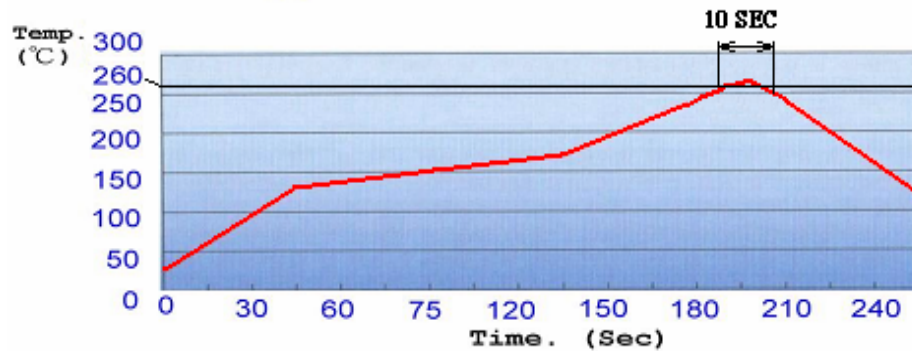
DIMENSION: mm TOLERANCE: ±0.25



### Packing :



## MODEL NO.: IH-010 Profile of IR Reflow (Lead Free)



### PACKING

1. Tape & Reel : 500pcs / Reel , 2500pcs / Carton
2. Dry Pack : 1pcs  
Product Description:(5g Silica Gel Desiccant)  
PH: 4-8  
Package Materials: Paper(Length 6.5±1cm , Width 5±1cm)
3. Reel Packed By Vacuum
4. Seal Per Jedec

