



NO: RD-FT-IH-SD012
 DATE: 2006/09/06 S (REV:A4)

1000 BASE-T MODULES

MODEL NO.: IH-012

FEATURE:

RoHS Compliant

RoHS peak soldering rating: 260°C/ 3~5 Sec

Designed to meet IR requirement

Specifications @ 25

Operating temp. : - 40 TO + 85

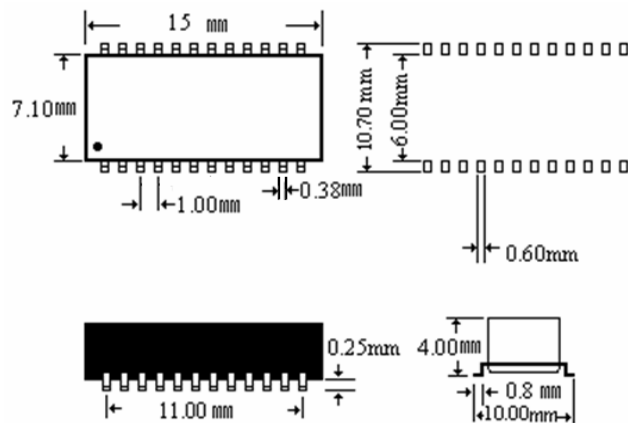
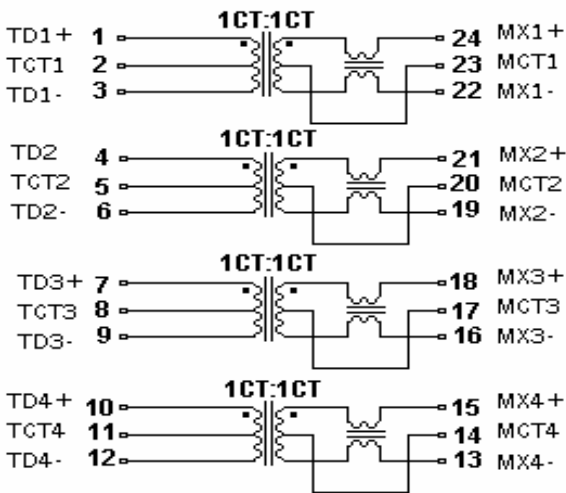
OCL:350 uH @100KHz,100mV /8mA DC bias

Part Number	Insertion Loss (dB MAX)			Return Loss (dB Min @100Ω)				Differential to Common Mode Rejection (dB MIN)				Cross talk (dB MIN)			CMRR (dB MIN)
	1-65 MHz	65-100 MHz	100-125 MHz	1-40 MHz	60 MHz	80 MHz	100 MHz	1 MHz	30 MHz	50 MHz	100 MHz	1-40 MHz	60 MHz	100 MHz	
IH-012	-1	-1.1	-1.5	-18	-15	-12	-10	-60	-40	-35	-30	-40	-35	-30	1-80 MHz
															-30

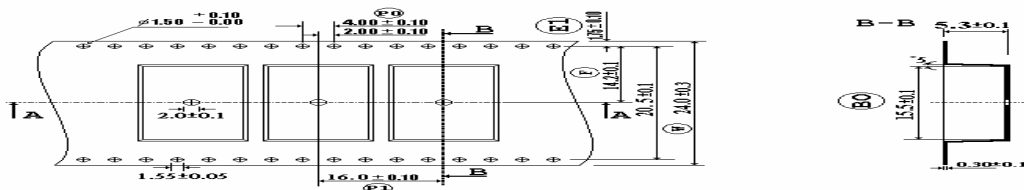
SCHEMATICS:

DIMENSION: mm

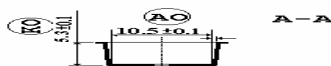
TOLERANCE: ±0.25



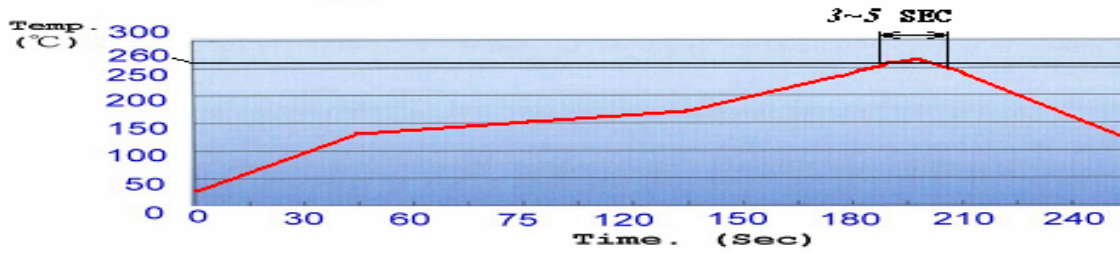
Packing :



W: 24.0±0.30
 P1: 16.9±0.10
 AO: 10.5±0.10
 EO: 15.5±0.10
 KO: 5.30±0.10
 Tape & reel-----800/reel



MODEL NO.: IH-012 Profile of IR Reflow (Lead Free)



PACKING	
1.	Tape & Reel : 800pcs / Reel , 4000pcs / Carton
2.	Dry Pack : 1pcs Product Description:(5g Silica Gel Desiccant) PH: 4-8 Package Materials: Paper(Length 6.5±1cm , Width 5±1cm)
3.	Reel Packed By Vocumm
4.	Seal Per Jedec

