



NO:RD-Pulse:H5009
Date:2005/09/13- I (REV:A1)

1000 BASE-T MAGNETICS MODULES

MODEL NO.: IH-013

FEATURE:

RoHS Compliant

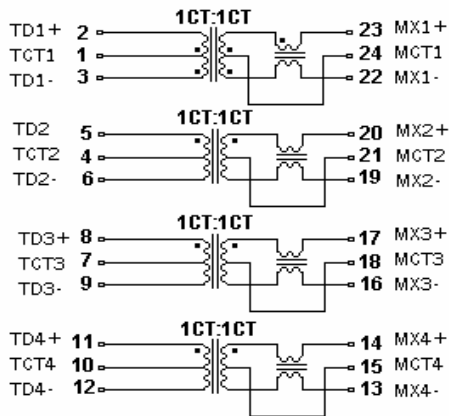
RoHS peak soldering rating: 260°C

DESIGNED TO MEET IR REQUIREMENT

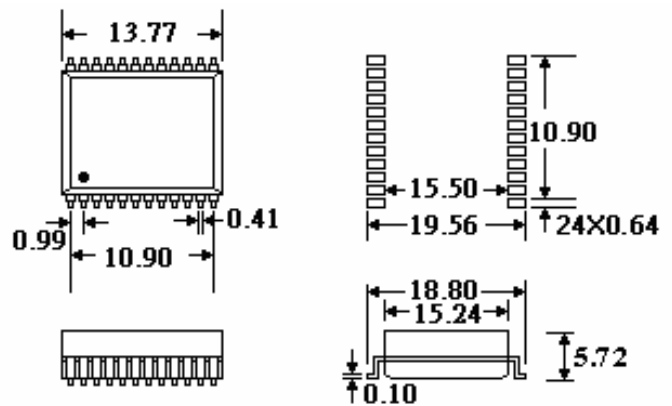
SPECIFICATIONS:AT 25

Part Number	Insertion Loss (dB MAX)	Return Loss (dB Min @100Ω)					Differential to Common Mode Rejection (dB MIN)			Cross talk (dB MIN)			Hi pot (Vrms MIN)
		1-30	40	50	60-80	100 MHz	30	60	100 MHz	30	60	100 MHz	
IH-013	1-100 MHz	-18	-14.4	-13.1	-12	-10	-43	-37	-33	-45	-40	-35	1500
	1.0												

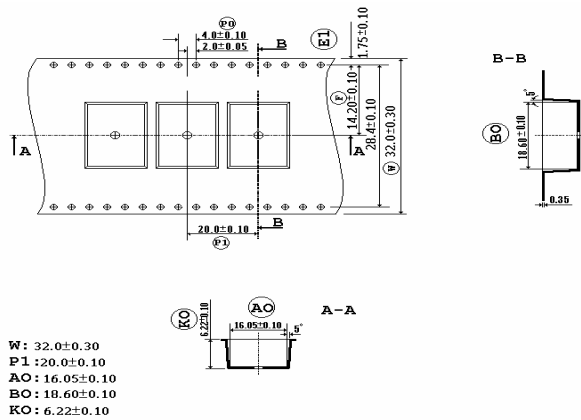
SCHEMATICS:



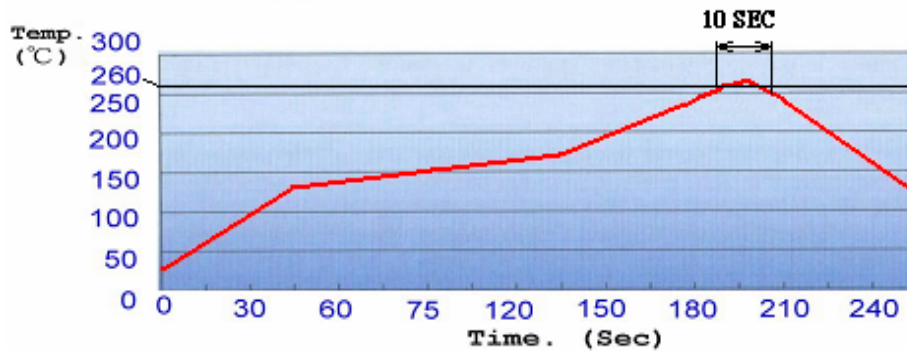
DIMENSION: mm TOLERANCE:±0.25



Packing :



MODEL NO.: IH-013 Profile of IR Reflow (Lead Free)



PACKING

1. Tape & Reel : 500pcs / Reel , 2500pcs / Carton
2. Dry Pack : 1pcs
Product Description:(5g Silica Gel Desiccant)
PH: 4-8
Package Materials: Paper(Length 6.5±1cm , Width 5±1cm)
3. Reel Packed By Vacuum
4. Seal Per Jedec

