



NO:RD-824-00055
Date:2005/09/13-I (REV:A1)

10/100/1000 BASE DUAL PORT,SURFACE MOUNT MODULES MODEL NO.: IH-014

FEATURE:

RoHS Compliant

RoHS peak soldering rating: 260°C

DESIGNED TO MEET IR REQUIREMENT

SPECIFICATIONS:AT 25°C

OPERATION TEMP 0°C~70°C

Turns Ratio 1CT: 1CT (±2 %)

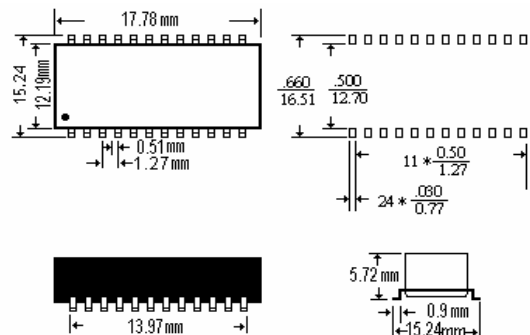
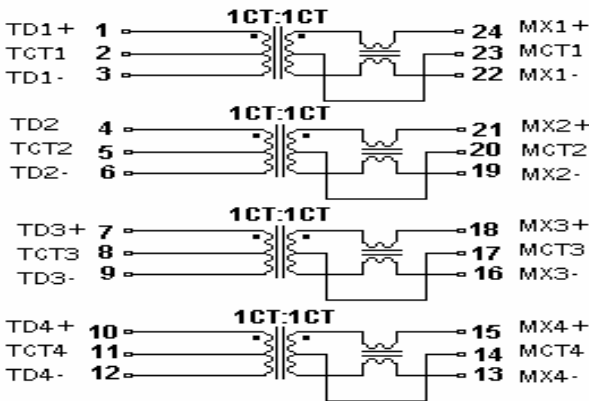
OCL (uH MIN)8mA 350 100KHZ 100mv

Part Number	InsertionLoss (dB) MHz.Max				Return loss (dB MIN) See No te 5&B MHz		Common Mode Rejection (dB MIN) MHz	Cross talk (dB MIN) MHz See Note 8	Hi pot VAC
	0.1-1	1-85	85-100	100-125	0.5-40	40-100			
IH-014	1..1	0.5	0.8	1.2	1.8	12-20Log(F/80)	30	33-20 Log(F/100)	1500

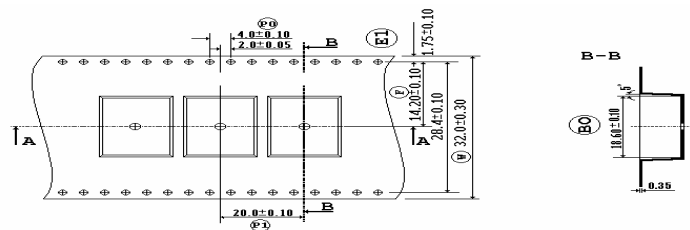
SCHEMATICS:

DIMENSION: mm

TOLERANCE: (±0.25)



Packing :

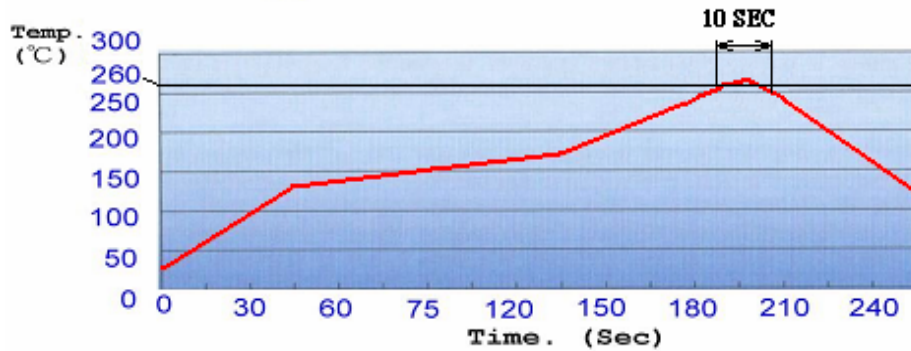


W: 32.0±0.30
P1 :20.0±0.10
AO: 16.05±0.10
BO: 18.60±0.10
KO: 6.22±0.10
Tape & Reel ----500/reel
Tube-----28/tube



MODEL NO.: IH-014

Profile of IR Reflow (Lead Free)



PACKING

1. Tape & Reel : 500pcs / Reel , 2500pcs / Carton
2. Dry Pack : 1pcs
Product Description:(5g Silica Gel Desiccant)
PH: 4-8
Package Materials: Paper(Length 6.5±1cm , Width 5±1cm)
3. Reel Packed By Vacuum
4. Seal Per Jedec

