



NO:RD-bel:S558-5500-16
Date:2005/09/13-I (REV:A1)

10/100/1000 BASE DUAL PORT,SURFACE MOUNT MODULES MODULES MODEL NO.: IH-015

FEATURE:

RoHS Compliant

RoHS peak soldering rating: 260°C

DESIGNED TO MEET IR REQUIREMENT

SPECIFICATIONS:AT 25°C

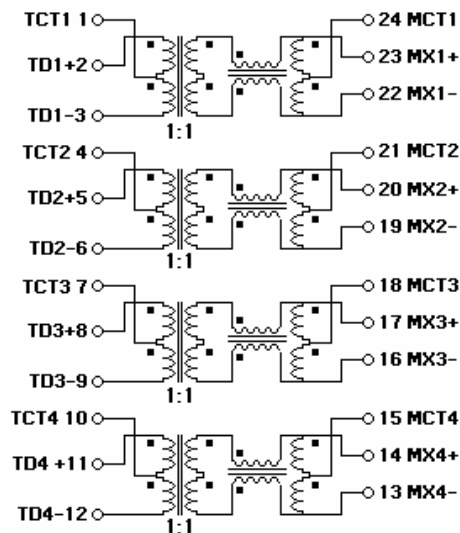
OPERATION TEMP 0°C~70°C

Turns Ratio 1CT : 1CT (±2 %)

OCL (uH MIN)8mA 350uH 100KHZ 100mv

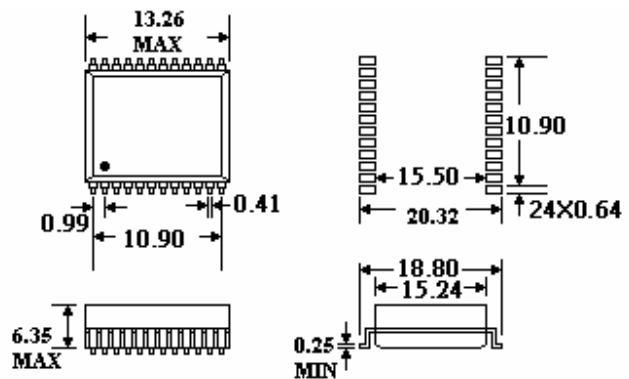
Part Number	InsertionLoss (dB) MHz.MAX	Return loss (dB MIN) MHz.MIN		DCR (Ω MAX)		LL (uH MAX)	Cww (pF MAX)	Hi pot VAC
		100KHz~100MHz	2~30	60~80	RX			
IH-015	1.5dB	16	10	1.00	1.40	0.25uH	40pF	1500

SCHEMATICS:

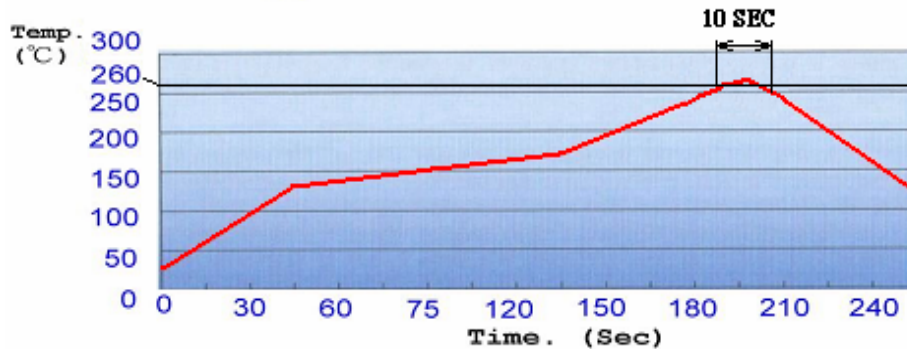


DIMENSION: mm

TOLERANCE: (±0.25)



MODEL NO.: IH-015 Profile of IR Reflow (Lead Free)



PACKING

1. Tape & Reel : 500pcs / Reel , 2500pcs / Carton
2. Dry Pack : 1pcs
Product Description:(5g Silica Gel Desiccant)
PH: 4-8
Package Materials: Paper(Length 6.5±1cm , Width 5±1cm)
3. Reel Packed By Vacuum
4. Seal Per Jedec

