



Number:RD-Pulse:TG1G-S002NZ
 DATE:2005/09/13 I (REV:A1)

1000 BASE-T MAGNETICS MODULES

MODEL NO.: IH-017

FEATURE:

RoHS Compliant

RoHS peak soldering rating: 260°C

DESIGNED TO MEET IR REQUIREMENT

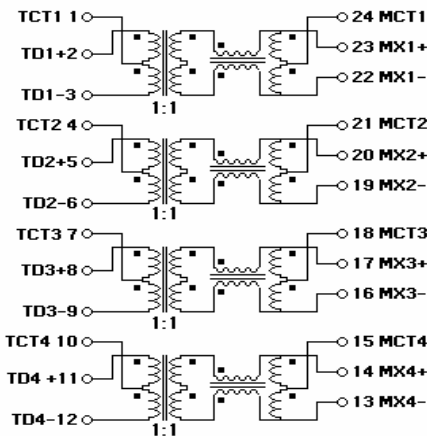
SPECIFICATIONS: AT 25°C

OPERATION TEMP : -40°C ~ +85°C

OCL:350 MIN @8mA (100KHz, 100mV)

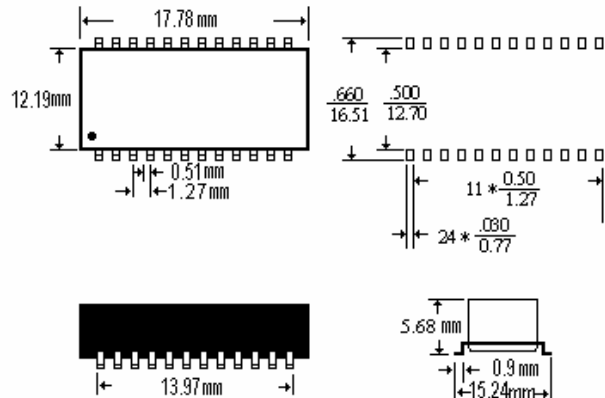
Part Number	Insertion Loss (dB MAX)	Return Loss (dB Min @100Ω)				Differential to Common Mode Rejection (dB MIN)	Cross talk (dB MIN)	Hi pot (Vrms MIN)
		1-40	60	80	100 MHz			
IH-017	1~100 MHz	1-40	60	80	100 MHz	0.1-100 MHz	1-100 MHz	1500
	-1.1	-18	-14.5	-12	-10	-33	33-20	

SCHEMATICS:

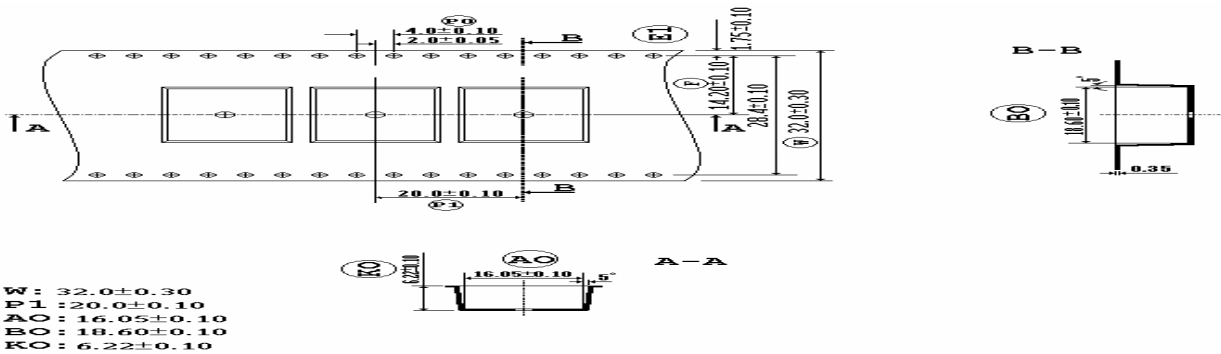


DIMENSION: mm

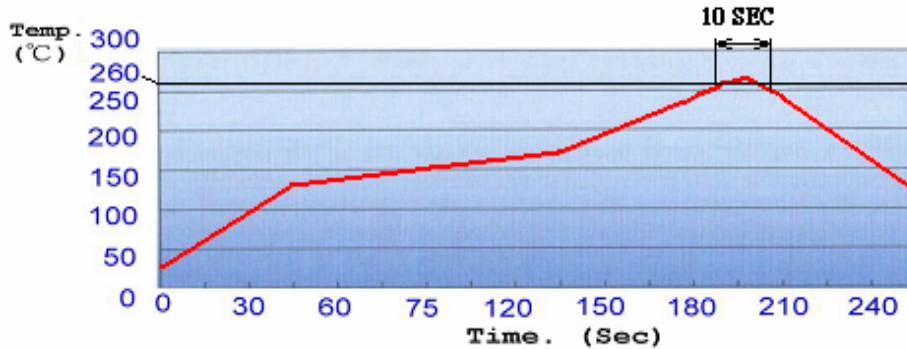
TOLERANCE: ±0.25



Packing :



MODEL NO.: IH-017 Profile of IR Reflow (Lead Free)



PACKING

1. Tape & Reel : 500pcs / Reel , 2500pcs / Carton
2. Dry Pack : 1pcs
Product Description:(5g Silica Gel Desiccant)
PH: 4-8
Package Materials: Paper(Length 6.5±1cm , Width 5±1cm)
3. Reel Packed By Vacuum
4. Seal Per Jedec

