



Number:RD-SDIH-018  
DATE:2005/09/13 I (REV:A1)

# 1000 BASE-T MAGNETICS MODULES

## MODEL NO.: IH-018

FEATURE:

**RoHS Compliant**

RoHS peak soldering rating: 260°C

DESIGNED TO MEET IR REQUIREMENT

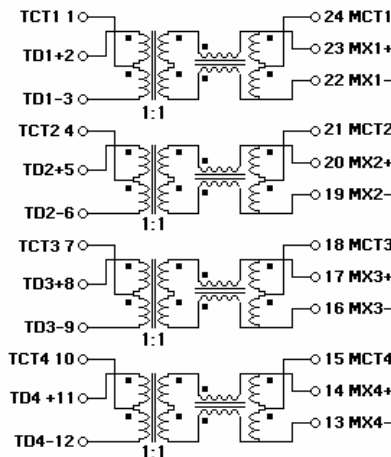
SPECIFICATIONS:AT 25°C

OPERATION TEMP : -40°C ~ +85°C

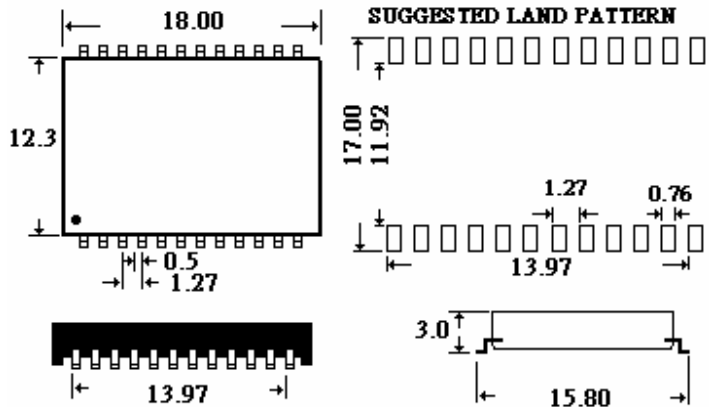
OCL:350 MIN @8mA (100KHz, 100mV)

Insertion Loss (dB MAX)			Return Loss (dB Min @100Ω)		Differential to Common Mode Rejection (dB MIN)		Cross talk(TX-RX) (dB MIN)		Hi pot (Vrms MIN)
0.1	1~100	125 MHz	1~40	40~100MHz	2	30~100 MHz	1	30~100 MHz	1500
-1.2	-1.0	-3.0	-16	-10	-50	-43	-50	-55	

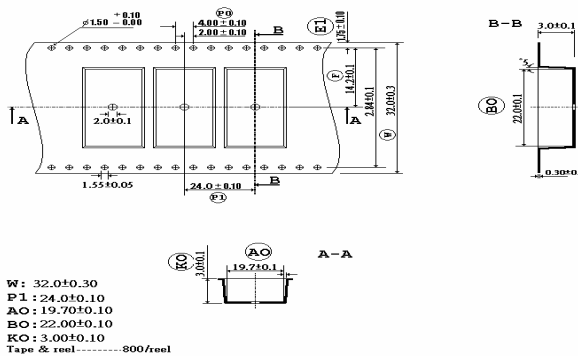
### SCHEMATICS:



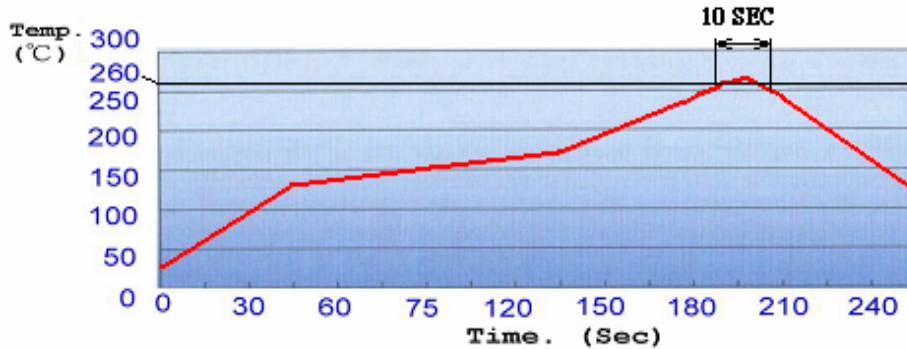
### DIMENSION: mm TOLERANCE:±0.25



### Packing :



## MODEL NO.: IH-018 Profile of IR Reflow (Lead Free)



### PACKING

1. Tape & Reel : 500pcs / Reel , 2500pcs / Carton
2. Dry Pack : 1pcs  
Product Description:(5g Silica Gel Desiccant)  
PH: 4-8  
Package Materials: Paper(Length 6.5±1cm , Width 5±1cm)
3. Reel Packed By Vacuum
4. Seal Per Jedec

