



NO:RD-bel:S558-5500-12  
Date:2005/09/13-I (REV:A1)

**10/100/1000 BASE DUAL PORT,SURFACE MOUNT MODULES MODULES  
MODEL NO.: IH-020**

**FEATURE:**

**RoHS Compliant**

**RoHS peak soldering rating: 260°C**

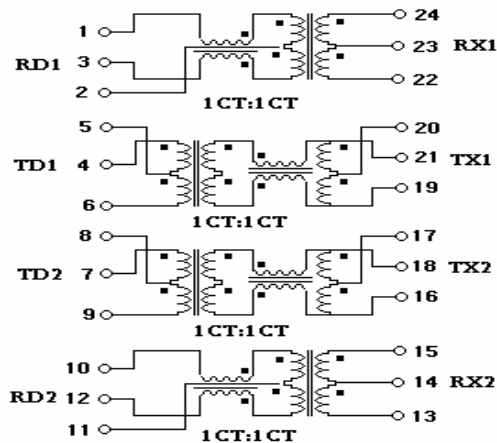
**DESIGNED TO MEET IR REQUIREMENT**

**SPECIFICATIONS:AT 25**

**OPERATION TEMP : -40 ~85**

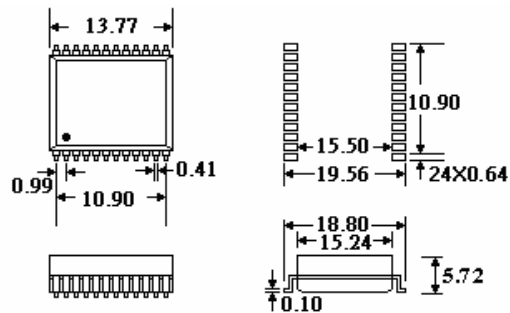
Part Number	Turns Ratio ( ±5% )		OCL uH. 8mA MIN )	LL (uH MAX)	C <sub>WW</sub> pF (MAX)	DCR Ω (MAX)	Insertion Loss ( dB MAX )	Cross Talk ( dB MIN )		Return Loss ( dB MIN )		Common Mode Rejection ( dB MIN )	HITOP ( VAC )
	TX	RX											
IH-020	TX	RX	350	0.25	25	1.0	0.1 to 100 MHz	1 to 30 MHz	60 to 100 MHz	2 to 30 MHz	60 to 80 MHz	0.1 to 100 MHz	1500
	1CT: 1CT	1CT: 1CT					-1.5	-60	-45	-16	-10		

**SCHEMATICS:**



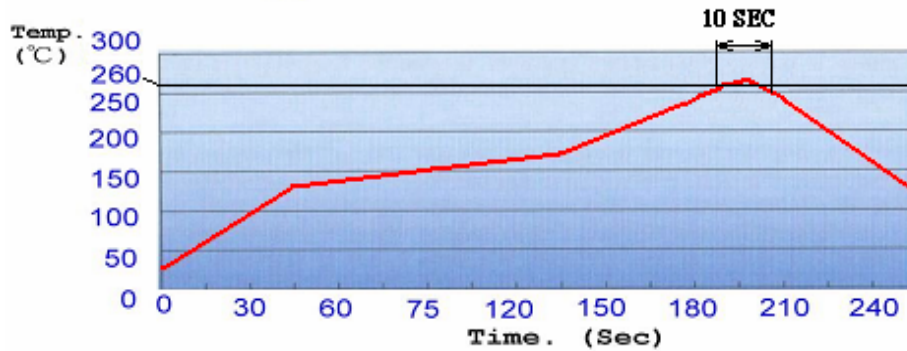
**DIMENSION: mm**

TOLERANCE: ±0.25



## MODEL NO.: IH-020

### Profile of IR Reflow (Lead Free)



### PACKING

1. Tape & Reel : 500pcs / Reel , 2500pcs / Carton
2. Dry Pack : 1pcs  
Product Description:(5g Silica Gel Desiccant)  
PH: 4-8  
Package Materials: Paper(Length 6.5±1cm , Width 5±1cm)
3. Reel Packed By Vacuum
4. Seal Per Jedec

