



NO: RD-IH-SD021  
DATE: 2005/09/13 I (REV:A1)

# 1000 BASE-T MODULES

## MODEL NO.: IH-021

### FEATURE:

RoHS Compliant

RoHS peak soldering rating: 260°C

DESIGNED TO MEET IR REQUIREMENT

SPECIFICATIONS: AT 25°C

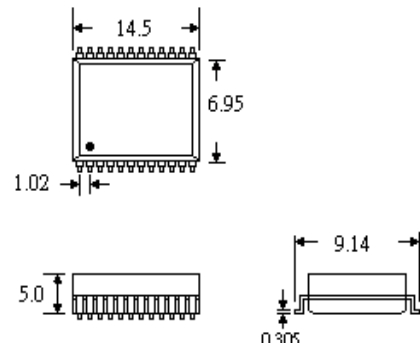
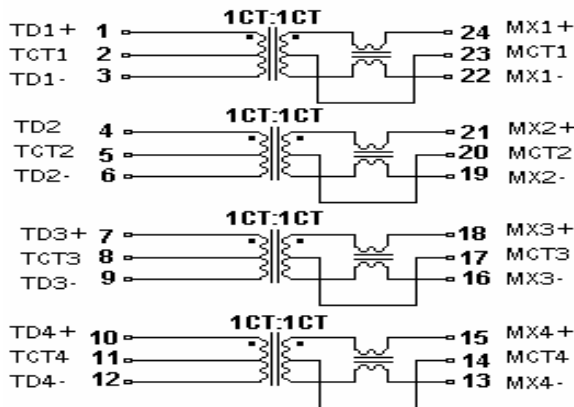
OCL: 350 uH @100KHz, 100mV / 8mA DC bias

Part Number	Insertion Loss (dB MAX)			Return Loss (dB Min @100Ω)				Differential to Common Mode Rejection (dB MIN)				Cross talk (dB MIN)			CMRR (dB MIN)
	1-65 MHz	65-100 MHz	100-125 MHz	1-40 MHz	60 MHz	80 MHz	100 MHz	1-30 MHz	30-50 MHz	50-100 MHz	1-40 MHz	60 MHz	100 MHz		
IH-021	-1	-1.1	-1.5	-18	-15	-12	-10	-60	-40	-35	-30	-40	-35	-30	1-80 MHz

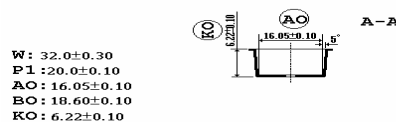
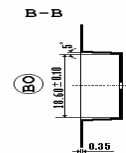
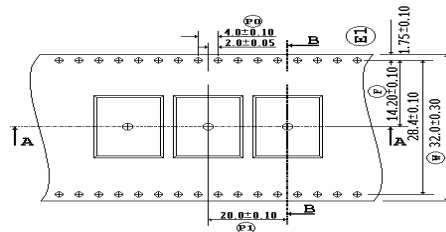
### SCHEMATICS:

### DIMENSION: mm

TOLERANCE: ±0.25



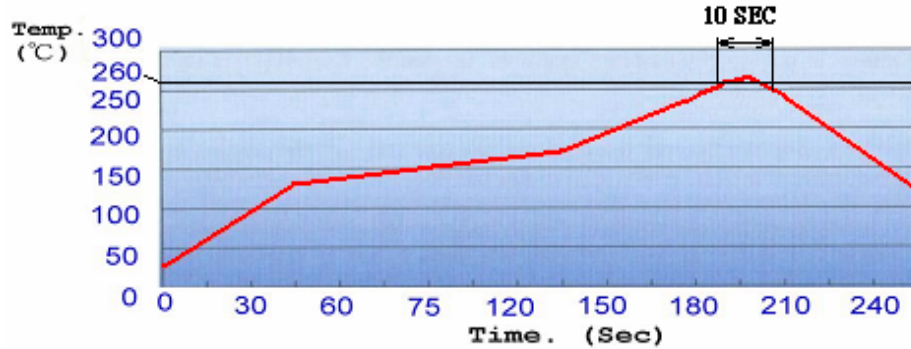
### Packing :



W: 32.0±0.30  
P1: 20.0±0.10  
AO: 16.05±0.10  
BO: 18.60±0.10  
KO: 6.22±0.10

## MODEL NO.: IH-021

### Profile of IR Reflow (Lead Free)



### PACKING

1. Tape & Reel : 500pcs / Reel , 2500pcs / Carton
2. Dry Pack : 1pcs  
Product Description:(5g Silica Gel Desiccant)  
PH: 4-8  
Package Materials: Paper(Length 6.5±1cm , Width 5±1cm)
3. Reel Packed By Vacuum
4. Seal Per Jedec

