



NO: RD-IH-SD022D
DATE: 2005/9/13 I (REV:A1)

1000 BASE-T MODULES

MODEL NO.: IH-022D

FEATURE:

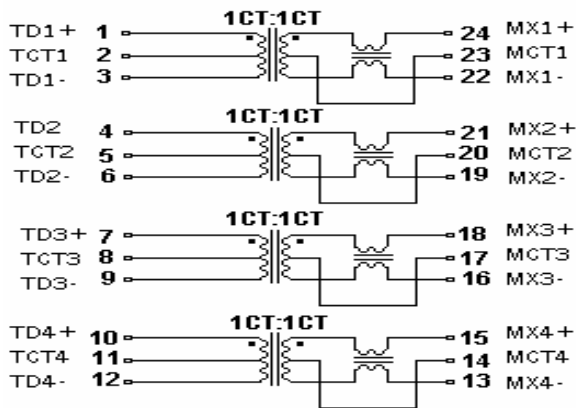
RoHS Compliant

SPECIFICATIONS: AT 25

OCL: 350 uH @ 100KHz, 100mV / 8mA DC bias

Insertion Loss (dB MAX)			Return Loss (dB Min @100)				Differential to Common Mode Rejection (dB MIN)				Cross talk (dB MIN)			CMRR (dB MIN)
1-65	65-100	100-125	1-40	60	80	100	1	30	50	100	1-40	60	100	1-80 MHz
MHz			MHz				MHz				MHz			
-1	-1.1	-1.5	-18	-15	-12	-10	-60	-40	-35	-30	-40	-35	-30	-30

SCHEMATICS:



DIMENSION: mm

TOLERANCE: (±0.25)

