



NO: RD-IH-SD023D
 DATE: 2005/09/13I (REV:A1)

1000 BASE-T MODULES

MODEL NO.: IH-023D

FEATURE:

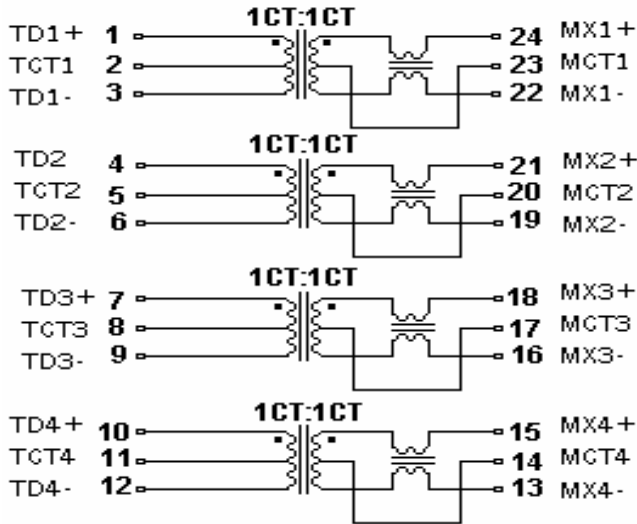
RoHS Compliant

SPECIFICATIONS: AT 25

OCL: 350 uH @ 100KHz, 100mV / 8mA DC bias

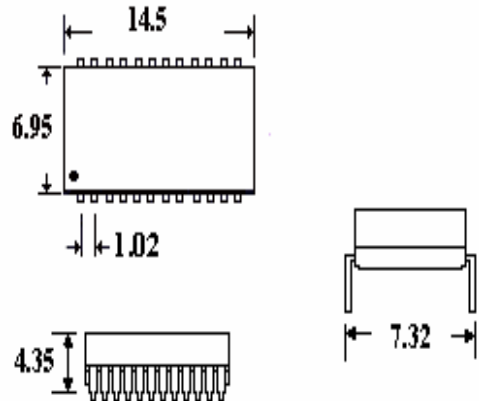
Part Number	Insertion Loss (dB MAX)			Return Loss (dB Min @100)				Differential to Common Mode Rejection (dB MIN)				Cross talk (dB MIN)			CMRR (dB MIN)
	1-65	65-100	100-125	1-40	60	80	100	1	30	50	100	1-40	60	100	
IH-023D	MHz			MHz				MHz				MHz			1-80 MHz
	-1	-1.1	-1.5	-18	-15	-12	-10	-60	-40	-35	-30	-40	-35	-30	

SCHEMATICS:



DIMENSION: mm

TOLERANCE: ±0.25





NO: RD-IH-SD023D
DATE: 2005/09/13I (REV:A1)

MODEL NO.: IH-023D

