



NO:RD-bel S558-5999-P3
Date:2005/09/13-I (REV:A1)

100/1000 BASE DUAL PORT SURFACE MOUNT MODULES MOUDLES MODEL NO.: IH-024

FEATURE:

RoHS Compliant

RoHS peak soldering rating: 260°C

DESIGNED TO MEET IR REQUIREMENT

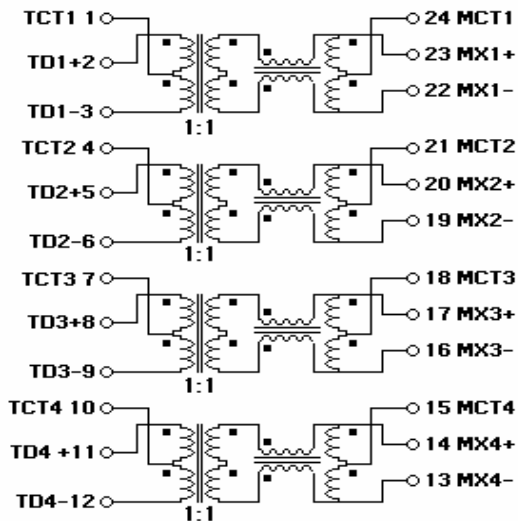
SPECIFICATIONS:AT 25°C

OPERATION TEMP : 0°C~70°C

Turns Ratio 1CT : 1CT
OCL (uH MIN)8mA 350 (100KHZ 100mv)

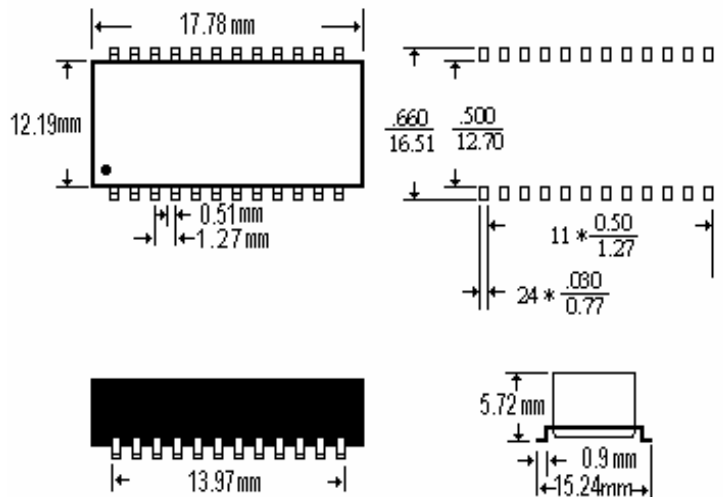
Part Number	Insertion Loss (dB) MHz.MAX	Return loss (dB MIN)		Common Mode Rejection (dB MIN) MHz	Cross talk (dB MIN) MHz	Hi pot VAC
	0.1~ 100 MHz	0.5-40	40-100	1~ 100MHz	3-100	
IH-024	1.0	1.8	12-20Log(F/80)	30	33-20 Log(F/50)	1500

SCHEMATICS:

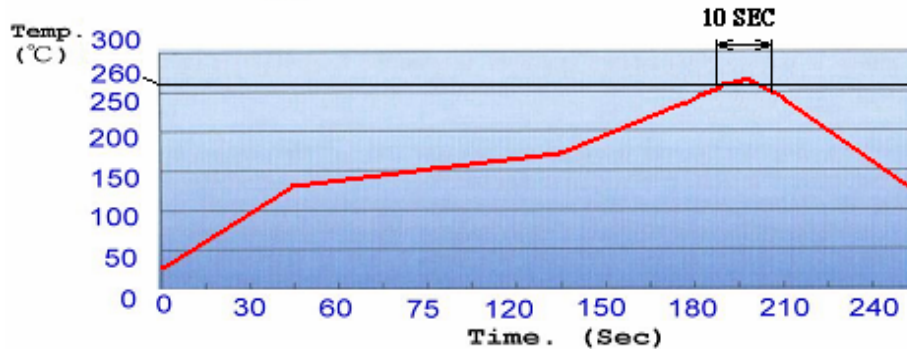


DIMENSION: mm

TOLERANCE: (±0.25)



MODEL NO.: IH-024 Profile of IR Reflow (Lead Free)



PACKING

1. Tape & Reel : 500pcs / Reel , 2500pcs / Carton
2. Dry Pack : 1pcs
Product Description:(5g Silica Gel Desiccant)
PH: 4-8
Package Materials: Paper(Length 6.5±1cm , Width 5±1cm)
3. Reel Packed By Vacuum
4. Seal Per Jedec

