



NO: RD-IH-SD031
DATE: 2005/09/13 I (REV:A1)

1000 BASE DUAL PORT,SURFACE MOUNT MODULES MODEL NO.: IH-031

FEATURE:

RoHS Compliant

RoHS peak soldering rating: 260°C

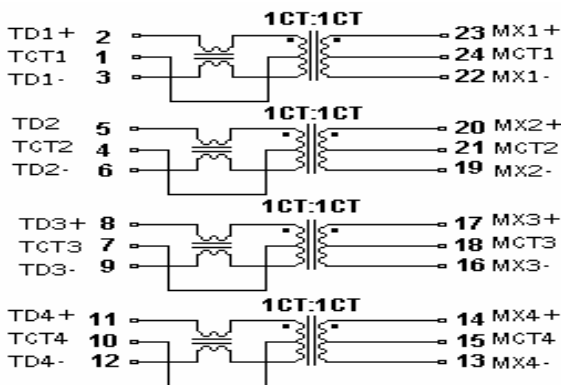
DESIGNED TO MEET IR REQUIREMENT

SPECIFICATIONS: AT 25°C

OPERATION TEMP : -40°C ~ +85°C

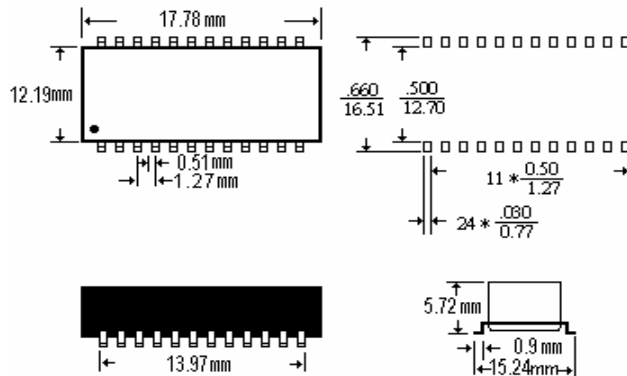
Turns Ratio OCL (uH MIN)		1CT : 1CT (±2 %) 350 100KHZ 100mv					Common Mode Rejection (dB MIN) 1~100 MHz			Cross talk (dB MIN) 1~100 MHz			Hi pot VAC
Part Number	Insertion Loss (dB MAX) 1-100MHz	Return loss (dB MIN @100Ω) 1~100 MHz					30MHz	60MHz	100MHz	30MHz	60MHz	100MHz	
		1-30	40	50	60-80	100							
IH-031	-1.0	-18	-14.4	-13.1	-12	-10	-43	-37	-33	-45	-40	-35	1500

SCHEMATICS:

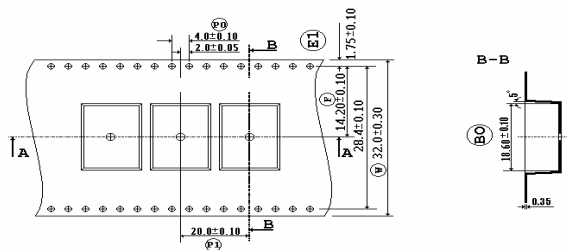


DIMENSION: mm

TOLERANCE: ±0.25

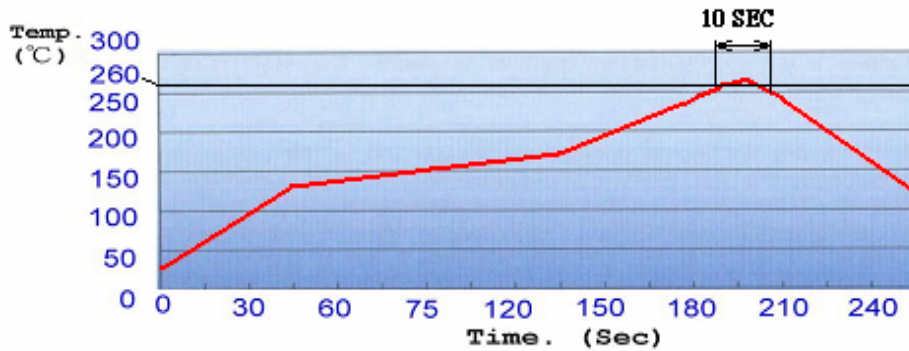


Packing :



W: 32.0±0.30
P1: 20.0±0.10
AO: 16.05±0.10
BO: 18.60±0.10
KO: 6.22±0.10
Tape & Reel -----500/reel
Tube-----28/tube

MODEL NO.: IH-031 Profile of IR Reflow (Lead Free)



PACKING

1. Tape & Reel : 500pcs / Reel , 2500pcs / Carton
2. Dry Pack : 1pcs
Product Description:(5g Silica Gel Desiccant)
PH: 4-8
Package Materials: Paper(Length 6.5±1cm , Width 5±1cm)
3. Reel Packed By Vacuum
4. Seal Per Jedec

