



NO: RD-bel S558-5999-BA
DATE: 2005/09/23 I (REV:A3)

1000 BASE DUAL PORT,SURFACE MOUNT MODULES MODEL NO.: IH-035

FEATURE:

RoHS Compliant

RoHS peak soldering rating: 260°C

Designed to meet IR requirement

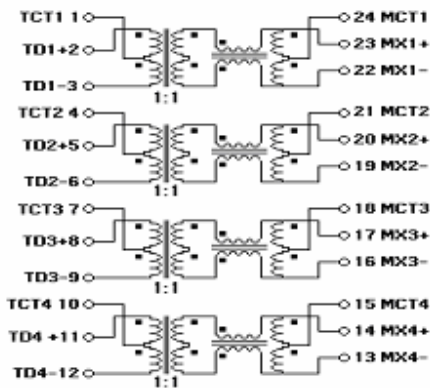
SPECIFICATIONS:AT 25

OPERATION TEMP -40 ~ +85

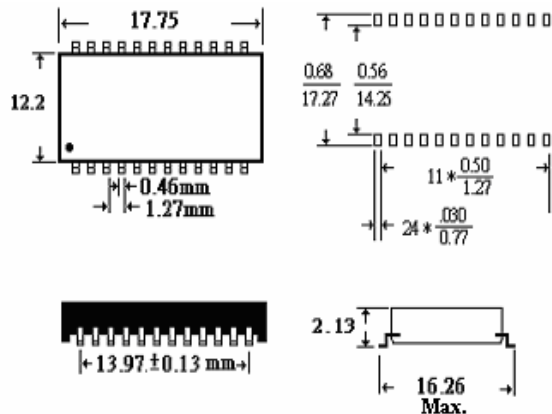
OCL 350uH MIN. @100KHz 100mV 8mA VDC

| Part Number | Insertion Loss (dB MAX) | Return Loss (dB Min @100Ω) | | | | | Differential to Common Mode Rejection (dB MIN) | | | Cross talk (dB MIN) | | | Hi pot (Vrms MIN) |
|-------------|-------------------------|----------------------------|------|-----|-----|-------|--|-----|-----|---------------------|-----|-----|-------------------|
| | | 1~100 MHz | 1-30 | 40 | 50 | 60-80 | 100 MHz | 30 | 60 | 100 MHz | 30 | 60 | |
| IH-035 | 1.0 | -18 | -14 | -13 | -12 | -10 | -43 | -37 | -33 | -45 | -40 | -35 | 1500 |

SCHEMATICS:



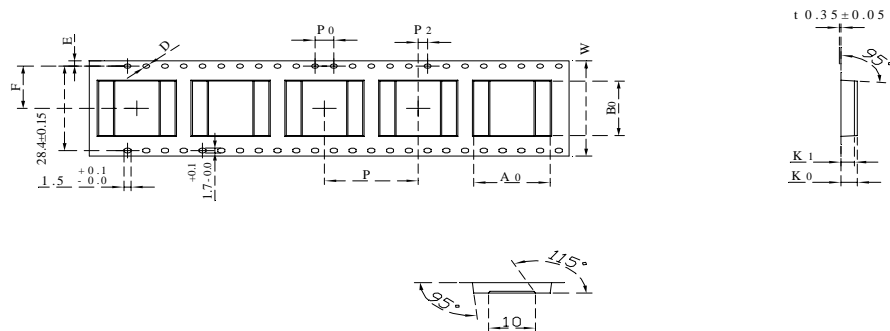
DIMENSION: mm



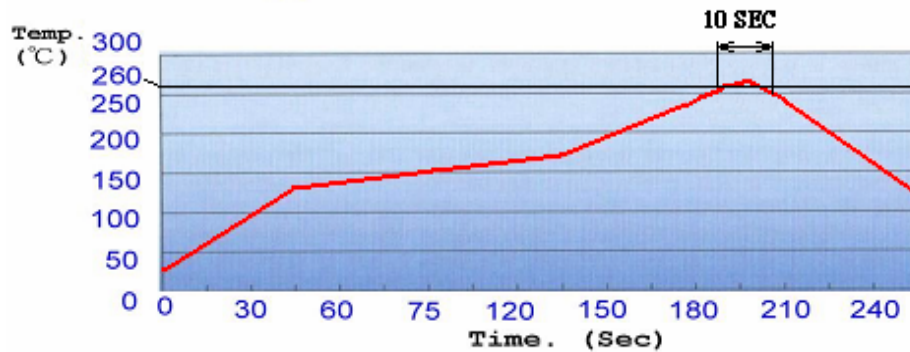
TOLERANCE:±0.25

Packing :

| ITEM | W | A ₀ | B ₀ | K ₀ | K ₁ | P | E | F | D | D ₁ | P ₀ | P ₂ |
|------|------------------------------------|--------------------------------------|--------------------------------------|-------------------------------------|-------------------------------------|------------------------------------|--------------------------------------|--------------------------------------|-------------------------------------|--------------------------------------|-------------------------------------|-------------------------------------|
| DIM | 32 ^{+0.3} _{-0.3} | 16.3 ^{+0.1} _{-0.1} | 18.3 ^{+0.1} _{-0.1} | 3.5 ^{+0.1} _{-0.1} | 2.9 ^{+0.1} _{-0.1} | 20 ^{+0.1} _{-0.1} | 1.75 ^{+0.1} _{-0.1} | 14.2 ^{+0.1} _{-0.1} | 1.5 ^{+0.1} _{-0.0} | 0.0 ^{+0.25} _{-0.0} | 4.0 ^{+0.1} _{-0.1} | 2.0 ^{+0.1} _{-0.1} |



MODEL NO.: IH-035 Profile of IR Reflow (Lead Free)



PACKING

1. Tape & Reel : 800pcs / Reel , 4000pcs / Carton
2. Dry Pack : 1pcs
Product Description:(5g Silica Gel Desiccant)
PH: 4-8
Package Materials: Paper(Length 6.5±1cm , Width 5±1cm)
3. Reel Packed By Vacuum
4. Seal Per Jedec

