



NO: RD-bel S558-5999-AZ
 DATE: 2005/09/14 I (REV:A1)

1000 BASE-T MAGNETICS MODULES

MODEL NO.: IH-036

FEATURE:

RoHS Compliant

RoHS peak soldering rating: 260°C

Designed to meet IR requirement

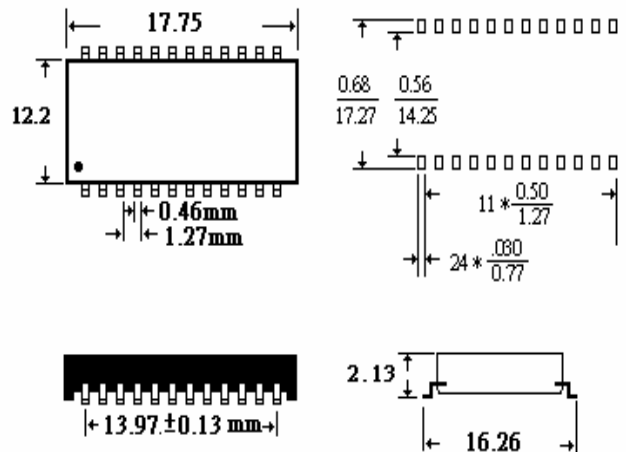
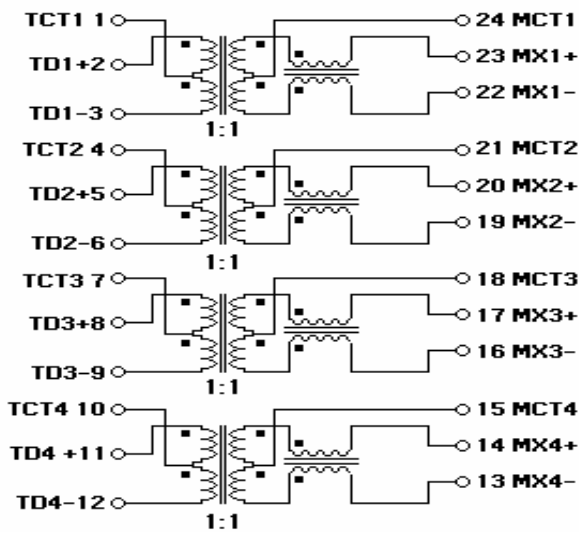
SPECIFICATIONS: AT 25

OPERATION TEMP -40 ~85

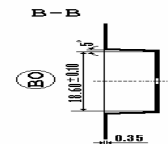
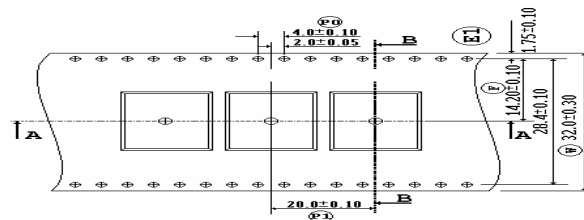
Part Number	Insertion Loss (dB MAX)	Return Loss (dB Min @100Ω)					Differential to Common Mode Rejection (dB MIN)			Cross talk (dB MIN)			Hi pot (Vrms MIN)
		1-30	40	50	60-80	100 MHz	30	60	100 MHz	30	60	100 MHz	
IH-036	1~100 MHz	1-30	40	50	60-80	100 MHz	30	60	100 MHz	30	60	100 MHz	1500
	1.0	-18	-14	-13	-12	-10	-43	-37	-33	-45	-40	-35	

SCHEMATICS:

DIMENSION : mm TOLERANCE:±0.25



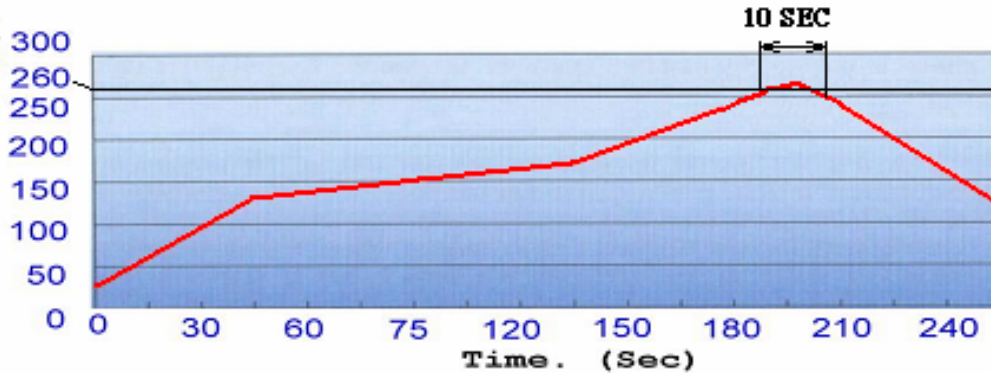
PACKAGING :



W: 32.0±0.30
 P1: 20.0±0.10
 AO: 16.05±0.10
 BO: 18.60±0.10
 KO: 6.22±0.10
 Tape & Reel -----800/reel
 Tube-----28/tube



MODEL NO: IH-036 Profile of IR Reflow (Lead Free)



PACKING

1. Tape & Reel : 800pcs / Reel , 4000pcs / Carton
2. Dry Pack : 1pcs
Product Description:(5g Silica Gel Desiccant)
PH: 4-8
Package Materials: Paper(Length 6.5±1cm , Width 5±1cm)
3. Reel Packed By Vacuum
4. Seal Per Jedec

