



Number:RD-SDIH-038
DATE:2005/09/14 I (REV:A1)

1000 BASE-T MAGNETICS MODULES

MODEL NO.: IH-038

FEATURE:

RoHS Compliant

RoHS peak soldering rating: 260°C

DESIGNED TO MEET IR REQUIREMENT

SPECIFICATIONS:AT 25°C

OCL : 350uH Min @ 100KHz,100mV@ 8mA

Cw/w : 25pF TYP (TX/RX)

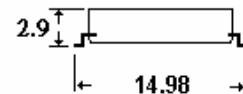
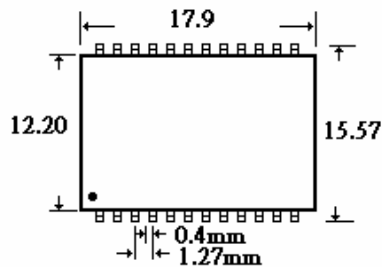
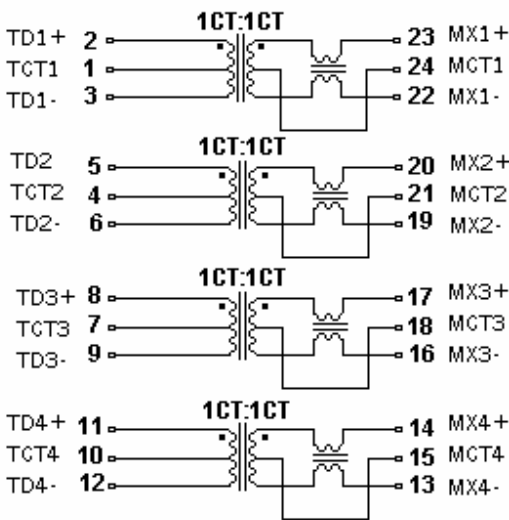
DCR : 0.9Ω MAX (PRI)

OPERATION TEMP : -0°C ~ +75°C

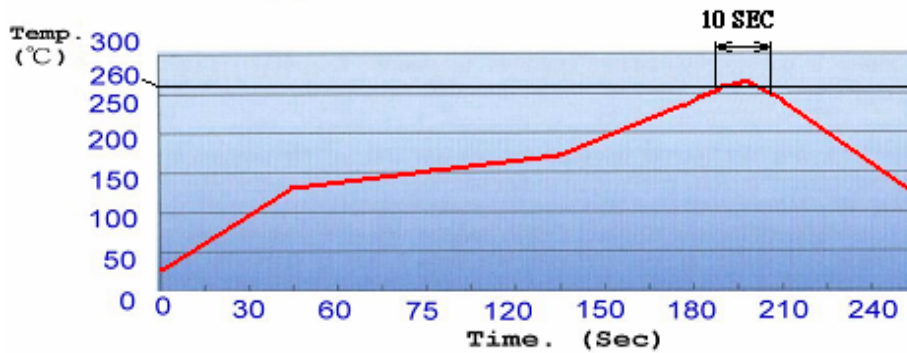
Part Number	Insertion Loss (dB MAX)	Return Loss (dB Min @100Ω)					Common Mode Rejection (dB MIN)	Cross talk (dB MIN)	Hi pot (Vrms MIN)
		1-30 MHz	40	50	60-80 MHz				
IH-038	1-100 MHz	1-30	40	50	60-80	MHz	0.1 - 100 MHz	0.1 - 100 MHz	1500
	-1.1	-18	-15.5	-13.6	-12	-40	-38		

SCHEMATICS:

DIMENSION: mm TOLERANCE:±0.25



MODEL NO.: IH-038 Profile of IR Reflow (Lead Free)



PACKING

1. Tape & Reel : 500pcs / Reel , 2500pcs / Carton
2. Dry Pack : 1pcs
Product Description:(5g Silica Gel Desiccant)
PH: 4-8
Package Materials: Paper(Length 6.5±1cm , Width 5±1cm)
3. Reel Packed By Vacuum
4. Seal Per Jedec

