



NO:RD-LG-2407S
Date:2005/9/14-I(REV:A1)

1000 BASE-TX DUAL PORT MAGNETICS MODULES

MODEL NO.: IH-039

FEATURES:

RoHS Compliant

RoHS peak solder rating260

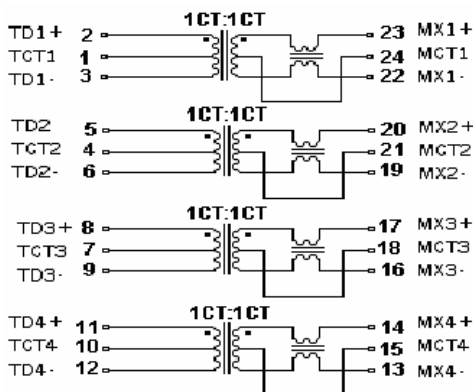
DESIGNED TO MEET IR REQUIREMENT

SPECIFICATIONS: AT 25

OCL:350 uH @100KHz,100mV /8mA DC bias

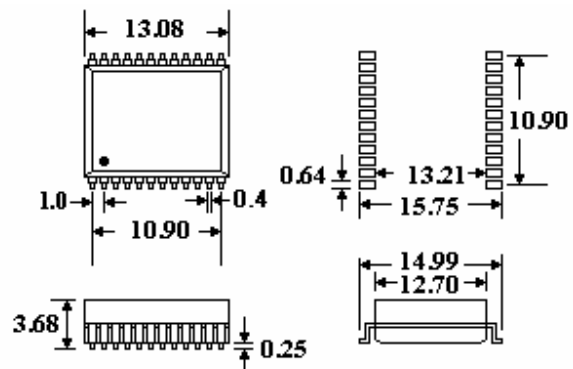
Part Number	Turns Ratio ($\pm 3\%$)	Insertion Loss (dB MAX)	Cross Talk (dB TYP)			Return Loss (dB MIN)					Common Mode Rejection (dB TYP)			HIPOT (VAC)
			1~100MHz	30	60	100MHz	1~30	40	50	60~80	100MHz	1-30	60	
IH-039	TX/RX	1~100MHz	30	60	100MHz	1~30	40	50	60~80	100MHz	1-30	60	100 MHz	1500
	1CT:1CT	-1.0	-45	-40	-35	-18	-14	-13	-12	-10	-43	-37	-33	

SCHEMATICS:

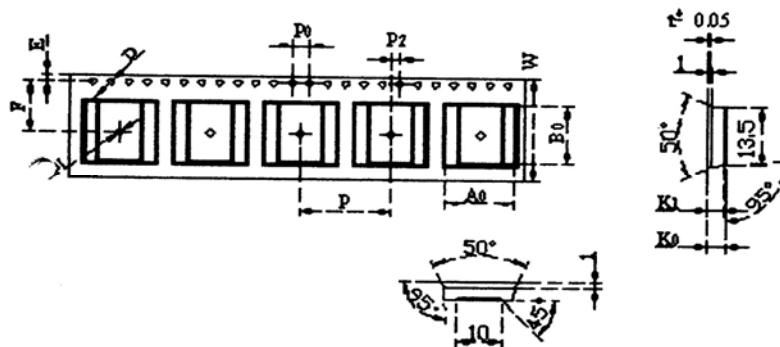


DIMENSION: mm

TOLERANCE: ± 0.25



Packing :

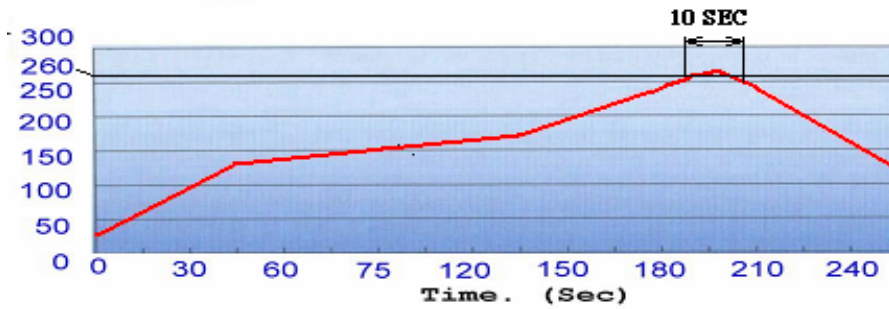




NO:RD-LG-2407S
Date:2005/9/14-I(REV:A1)

MODEL NO. : IH-039

Profile of IR Reflow (Lead Free)



PACKING

1. Tape & Reel : 800pcs / Reel , 4000pcs / Carton
2. Dry Pack : 1pcs
Product Description:(5g Silica Gel Desiccant)
PH: 4-8
Package Materials: Paper(Length 6.5±1cm , Width 5±1cm)
3. Reel Packed By Vocumm
4. Seal Per Jedec

