



NO: RD-IH-SD040
 DATE: 2005/09/14 I (REV:A1)

1000 BASE-T MAGNETICS MODULES

MODEL NO.: IH-040

FEATURE:

RoHS Compliant

RoHS peak solder rating 260°C

SPECIFICATIONS: AT 25°C

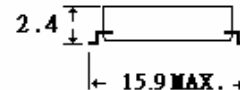
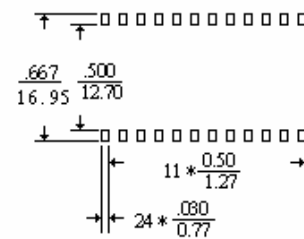
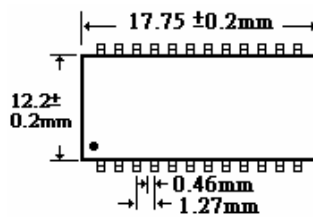
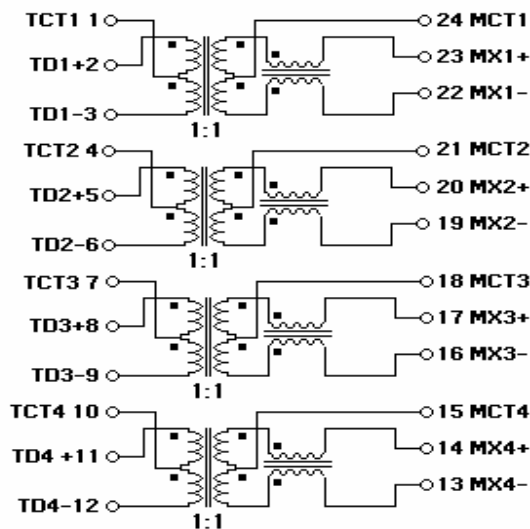
OCL: 350uH Min @ 100Khz, 100mV 8mA

OPERATION TEMP -0°C ~ +70°C

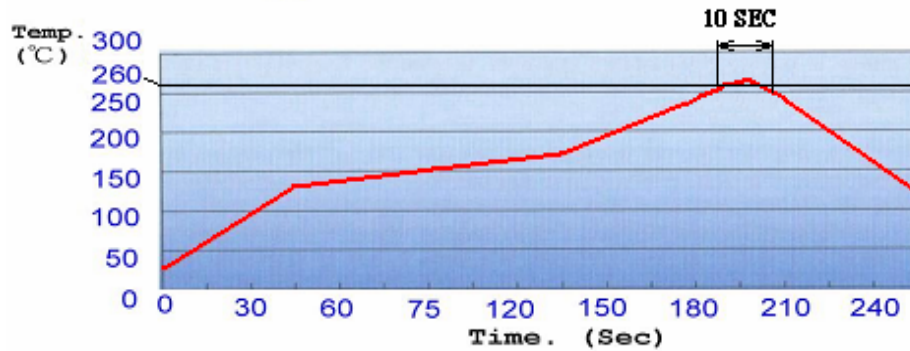
| Insertion Loss (dB MAX) | Return Loss (dB Min @100Ω) | | | | Differential to Common Mode Rejection (dB MIN) | Cross talk (dB MIN) | | | Hi pot (Vrms MIN) |
|-------------------------|----------------------------|-----|-----|-------|--|---------------------|-----|---------|-------------------|
| 1~100 MHz | 1-30 | 40 | 50 | 60-80 | 1 ~ 100 MHz | 1 | 60 | 100 MHz | 1500 |
| 1.0 | -18 | -14 | -12 | -10 | -30 | -40 | -33 | -30 | |

SCHEMATICS:

DIMENSION : mm TOLERANCE:±0.25



MODEL NO.: IH-040 Profile of IR Reflow (Lead Free)



PACKING

1. Tape & Reel : 500pcs / Reel , 2500pcs / Carton
2. Dry Pack : 1pcs
Product Description:(5g Silica Gel Desiccant)
PH: 4-8
Package Materials: Paper(Length 6.5±1cm , Width 5±1cm)
3. Reel Packed By Vacuum
4. Seal Per Jedec

