



NO: RD-IH-SD041  
 DATE: 2005/09/14 I (REV:A1)

# 1000 BASE-T MAGNETICS MODULES

## MODEL NO.: IH-041

**FEATURE:**

RoHS Compliant

RoHS peak solder rating260

SPECIFICATIONS:AT 25

OCL : 350uH Min @ 100Khz,100mV 8mA

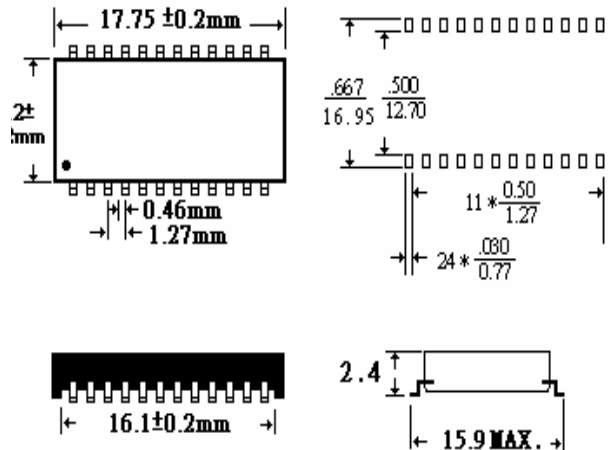
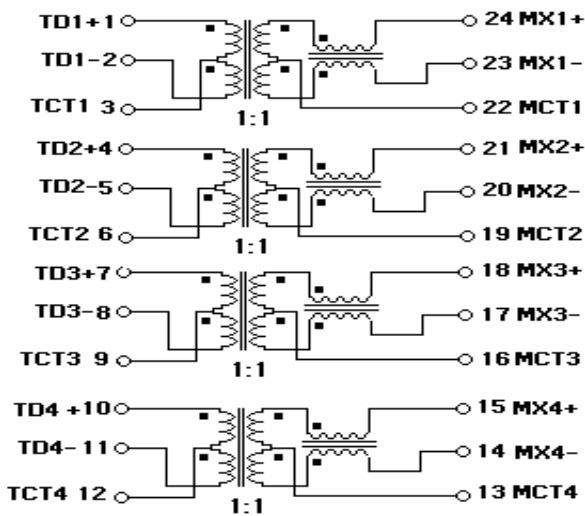
OPERATION TEMP : -0 ~+70

Hi pot (Vrms MIN) : 1500

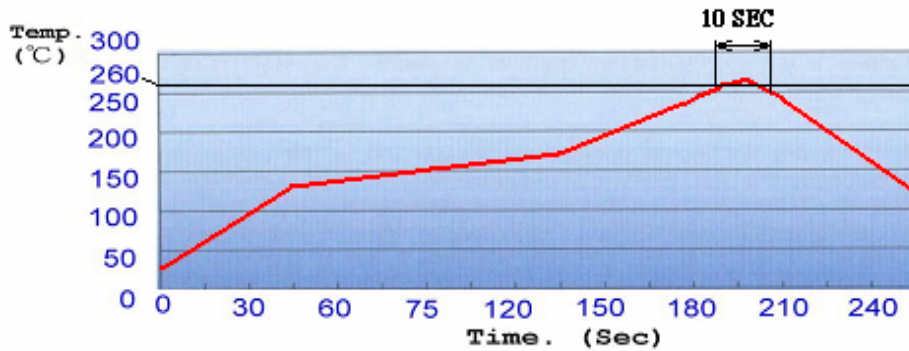
Part Number	Insertion Loss (dB MAX)	Return Loss (dB Min @100Ω)				Differential to Common Mode Rejection (dB MIN)	Cross talk (dB MIN)		
		1-30	40	50	60-80 MHz		1	60	100 MHz
IH-041	1~100 MHz	1-30	40	50	60-80 MHz	1~100 MHz	1	60	100 MHz
	1.0	-18	-14	-12	-10	-30	-40	-33	-30

**SCHEMATICS:**

**DIMENSION : mm TOLERANCE:±0.25**



## MODEL NO.: IH-041 Profile of IR Reflow (Lead Free)



### PACKING

1. Tape & Reel : 500pcs / Reel , 2500pcs / Carton
2. Dry Pack : 1pcs  
Product Description:(5g Silica Gel Desiccant)  
PH: 4-8  
Package Materials: Paper(Length 6.5±1cm , Width 5±1cm)
3. Reel Packed By Vacuum
4. Seal Per Jedec

