



NO:RD-GSN5007B
Date:2005/05/09-B(REV:A1)

1000 BASE-TX DUAL PORT MAGNETICS MODULES MODEL NO.: IH-042

Features:

RoHS Compliant

RoHS peak solder rating 260°C

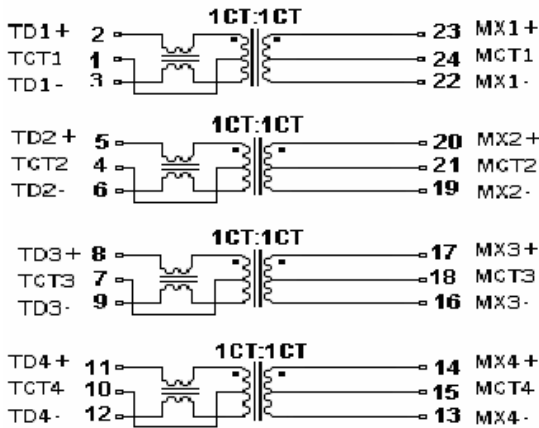
Designed to meet IR Reflow requirement

Specifications: at 25°C

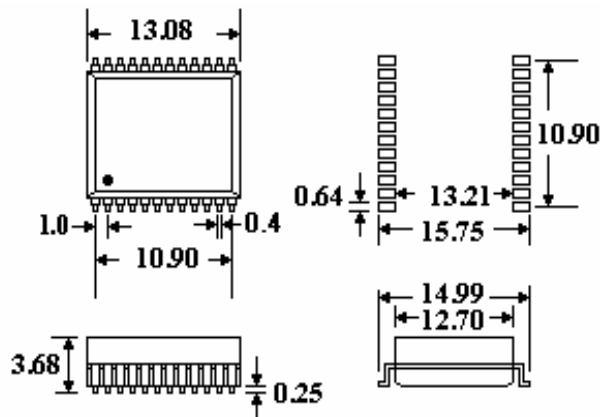
OCL:350 uH @100KHz,100mV /8mA DC bias

Part Number	Turns Ratio (±3%)	Insertion Loss (dB MAX) MHz	Cross Talk (dB Min) MHz			Return Loss (dB MIN) MHz					Common Mode Rejection (dB Min) MHz			HIPOT (VAC)
			30	60	100	1~30	40	50	60~80	100	1-30	60	100	
IH-042	TX/RX	1~100	30	60	100	1~30	40	50	60~80	100	1-30	60	100	1500
	1CT:1CT	-1.0	-45	-40	-35	-18	-14	-13	-12	-10	-43	-37	-33	

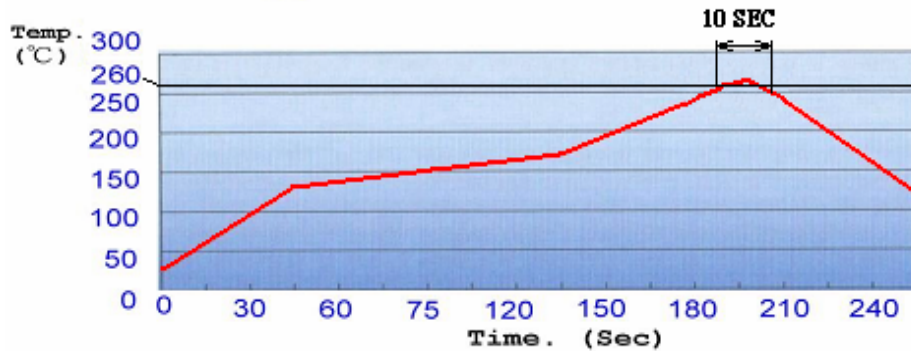
SCHEMATICS:



**DIMENSION:
TOLERANCE: mm(±0.25)**



MODEL NO.: IH-042 Profile of IR Reflow (Lead Free)



PACKING

1. Tape & Reel : 500pcs / Reel , 2500pcs / Carton
2. Dry Pack : 1pcs
Product Description:(5g Silica Gel Desiccant)
PH: 4-8
Package Materials: Paper(Length 6.5±1cm , Width 5±1cm)
3. Reel Packed By Vacuum
4. Seal Per Jedec

