



NUMBER:RD-Pulse:H5091NL
 DATE:2005/09/23 JC(REV:A1)

1000 BASE-T MAGNETICS MODULES

MODEL NO.: IH-045

FEATURE:

RoHS Compliant

RoHS peak solder rating 260

Designed to meet IR requirement

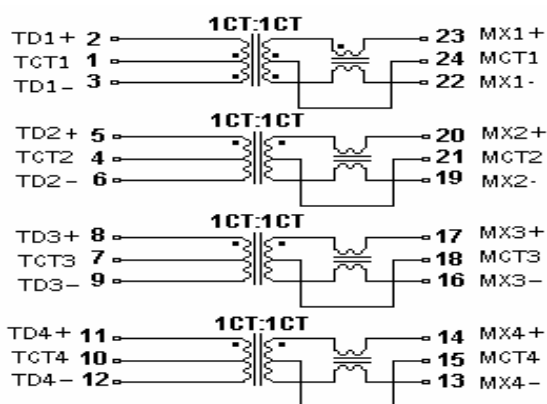
Specifications @ 25

OPERATION TEMP.: -40 ~ +85

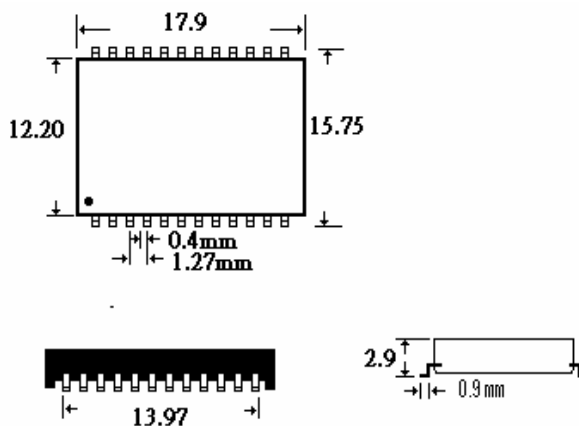
Hi pot (Vrms MIN) : 1500

Part Number	Insertion Loss (dB MAX)	Return Loss (dB Min @100Ω)						Differential to Common Mode Rejection (dB MIN)			Cross talk (dB MIN)		
		1-100 MHz	1-30	40	50	60-80	100 MHz	30	60	100 MHz	30	60	100 MHz
IH-045	1.0	-18	-14.4	-13.1	-12	-10	-43	-37	-33	-45	-40	-35	

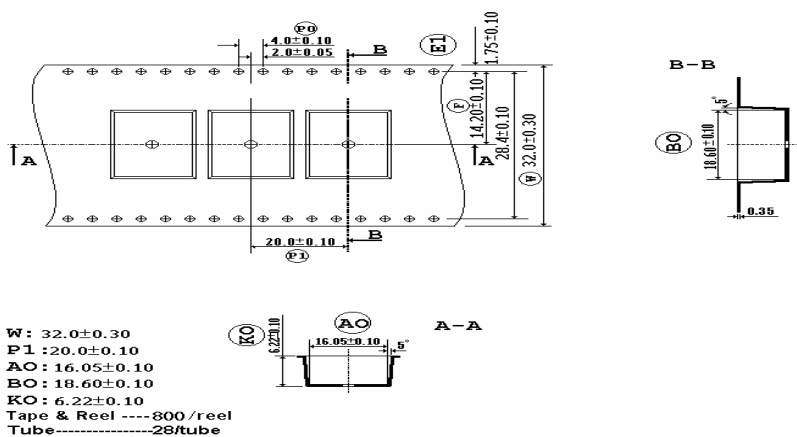
SCHEMATICS:



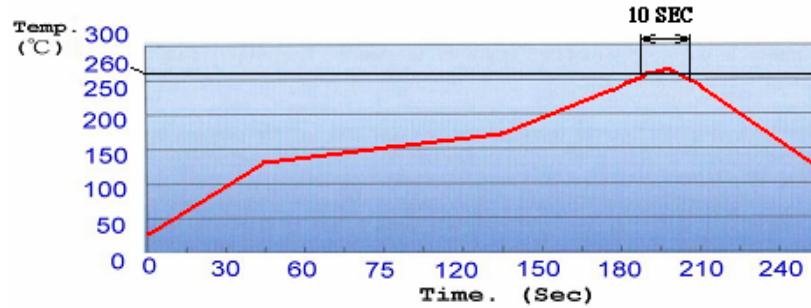
DIMENSION :mm TOLERANCE:±0.25



Packing



MODEL NO.: IH-045 Profile of IR Reflow (Lead Free)



PACKING

1. Tape & Reel : 800pcs / Reel , 4000pcs / Carton
2. Dry Pack : 1pcs
Product Description:(5g Silica Gel Desiccant)
PH: 4-8
Package Materials: Paper(Length 6.5±1cm , Width 5±1cm)
3. Reel Packed By Vacuum
4. Seal Per Jedec

