



NO:RD-IH-SD048  
Date:2005/10/13-I (REV:A1)

# 1000 BASE-T MAGNETICS MODULES

## MODEL NO.: IH-048

### FEATURE:

RoHS Compliant

RoHS peak solder rating 260

DESIGNED TO MEET IR REQUIREMENT

SPECIFICATIONS:AT 25

OPERATING TEMP:-40 ~ +85

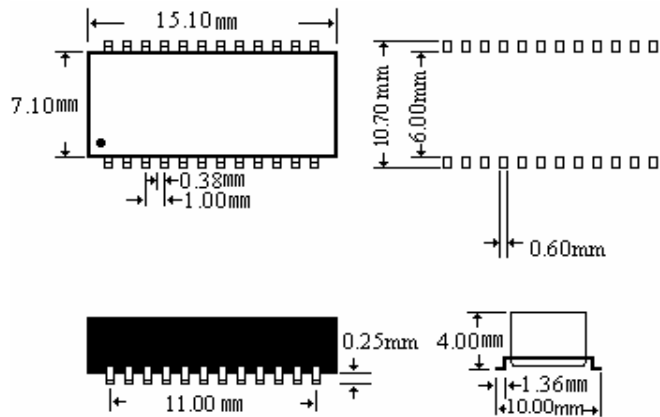
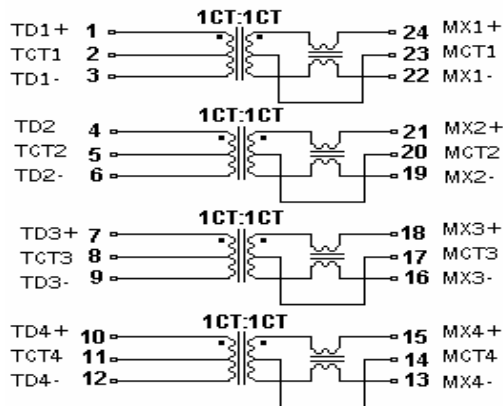
Turns Ratio 1CT : 1CT (± 5 %)

OCL 350 uH Min @100KHZ ,100mv , 8mA

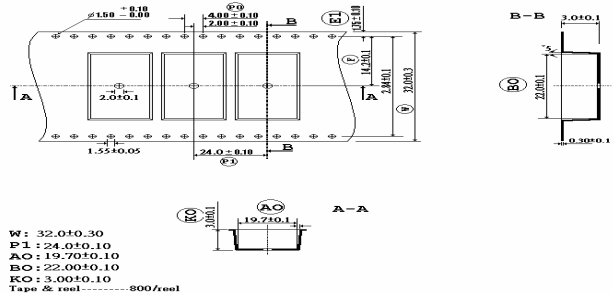
Part Number	Insertion Loss (dB Max) 1-100MHz	Return loss (dB MIN @100Ω)					Differential to Common Mode Rejection (dB MIN)			Cross talk (dB MIN)			Hi pot VAC
		1-30	40	50	60-80	100	30	60	100	30	60	100	
IH-048	-1.0	-18	-14.4	-13.1	-12	-10	-40	-35	-30	-45	-40	-35	1500

SCHEMATICS :

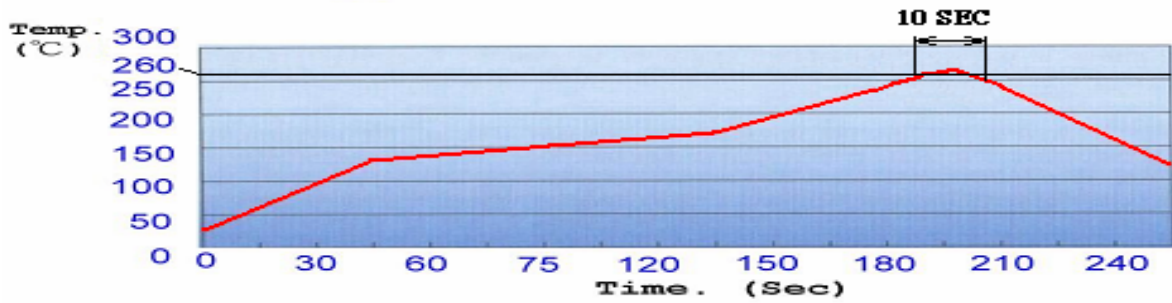
DIMENSION: mm TOLERANCE:±0.25



### Packing :



## MODEL NO.: IH-048 Profile of IR Reflow (Lead Free)



PACKING	
1.	Tape & Reel : 800pcs / Reel , 4000pcs / Carton
2.	Dry Pack : 1pcs Product Description:(5g Silica Gel Desiccant) PH: 4-8 Package Materials: Paper(Length 6.5±1cm , Width 5±1cm)
3.	Reel Packed By Vocumm
4.	Seal Per Jedec

