



NO:RD-Pulse H5014
 DATA: 2005/09/20 I (REV:A1)

1000 BASE-T DUAL PORT MAGNETIC MODULES MODEL NO.: IHK-001

FEATURE:

RoHS Compliant

DESIGNED TO MEET IR REQUIREMENT

ENVIRONMENTAL: At 260 IN 1 MINUTE

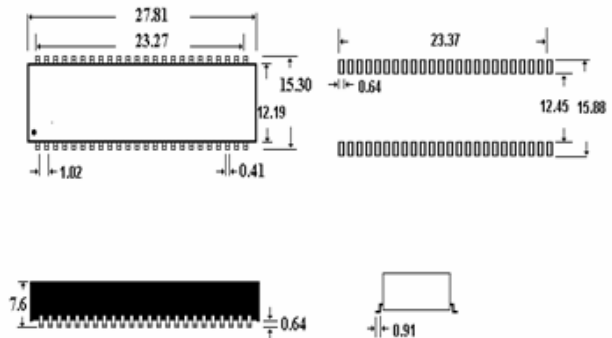
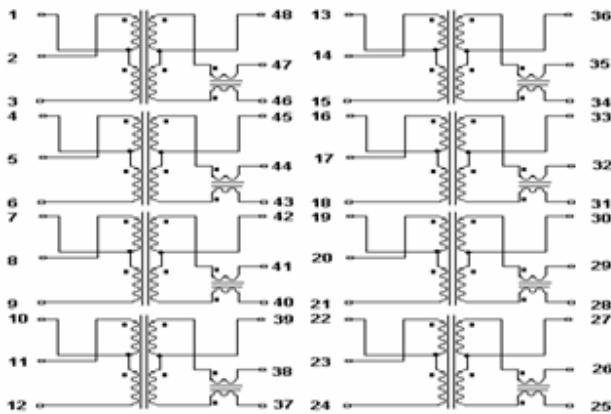
Operating Temperature -40 to +85

Parts Number	Insertion Loss (dB MAX) 1-100MHz	Return Loss (dB MIN)					Cross talk (dB MIN)			Differential to Common Mode Rejection (dB TYP)			Hipot (Vrms MIN)
		1~30MHz	40MHz	50MHz	60~80MHz	100MHz	30MHz	60MHz	100MHz	30MHz	60MHz	100MHz	
IHK-001	-1.4	-16	-14.4	-13.1	-12	-10	-43.5	-37.5	-33	-45	-40	-35	1500

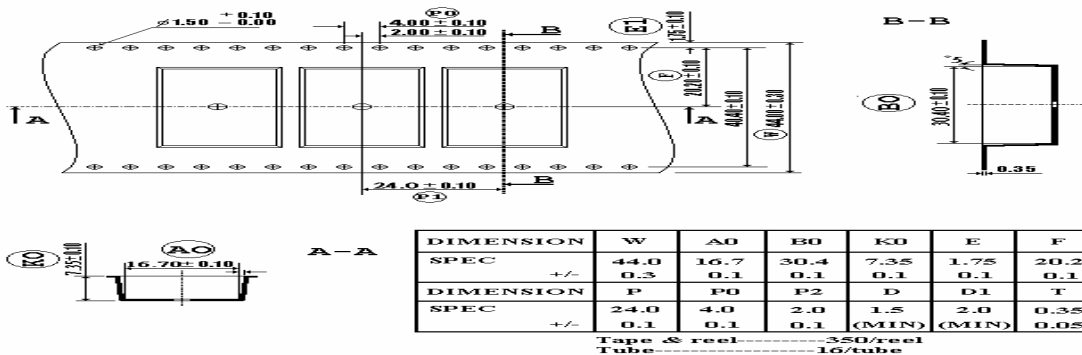
SCHEMATIC:

DIMENSION: mm

TOLERANCE:±0.25



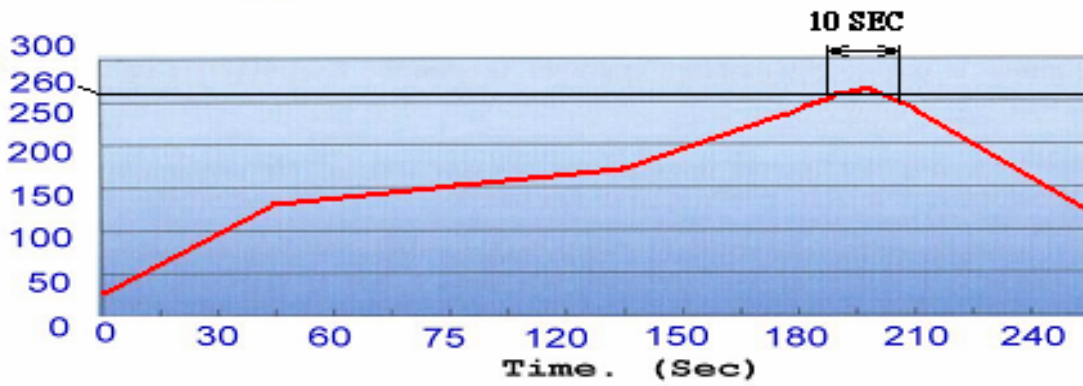
Packing:



DIMENSION	W	A0	B0	K0	E	F
SPEC	44.0	16.7	30.4	7.35	1.75	20.2
	+/- 0.3	0.1	0.1	0.1	0.1	0.1
DIMENSION	P	P0	P2	D	D1	T
SPEC	24.0	4.0	2.0	1.5	2.0	0.35
	+/- 0.1	0.1	0.1	(MIN)	(MIN)	0.05

Tape & reel-----350/reel
 Tube-----16/tube

MODEL NO.: IHK-001 Profile of IR Reflow (Lead Free)



PACKING	
1.	Tape & Reel : 350pcs / Reel , 1750pcs / Carton
2.	Dry Pack : 1pcs Product Description:(5g Silica Gel Desiccant) PH: 4-8 Package Materials: Paper(Length 6.5±1cm , Width 5±1cm)
3.	Reel Packed By Vocumm
4.	Seal Per Jedec

