



NO:RD-IHK-SD002
 DATA:2005/09/20 -I (REV:A2)

DUAL 1000 BASE-T Transformer

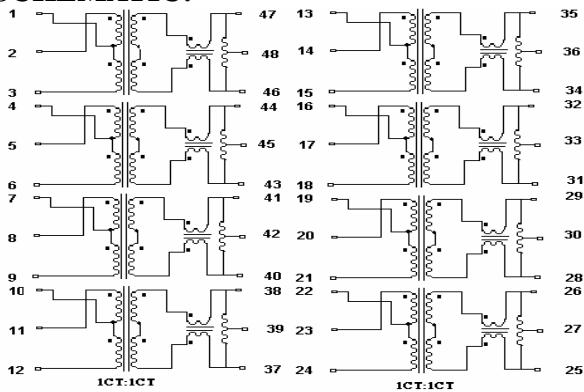
MODEL NO.: IHK-002

FEATURE:

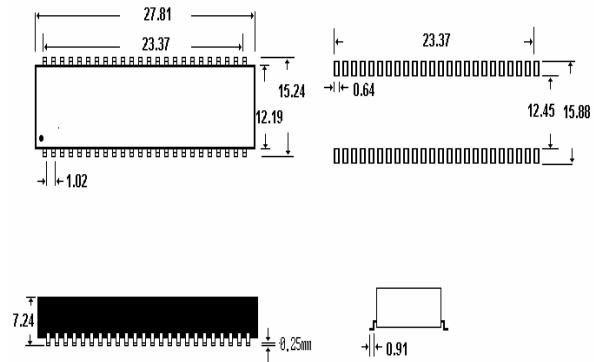
- RoHS Compliant
- Design to meet IR requirement
- RoHS peak solder rating 260
- Operating Temperature -40 to +85
- OCL : 350uH MIN @ 8mA dc

Parts Number	Insertion Loss (dB MAX)				Return Loss (dB MIN)			Cross talk (dB MIN)	Differential to Common Mode Rejection (dB TYP)	Hi pot (Vrms MIN)
	0.1-1	1-65	65-100	100-125 MHz	0.5-40	40-80	100MHz	0.1-100MHz	0.1-100MHz	1500
IHK-002	1.1	0.5	0.8	1.2	18	12	10	33	30	

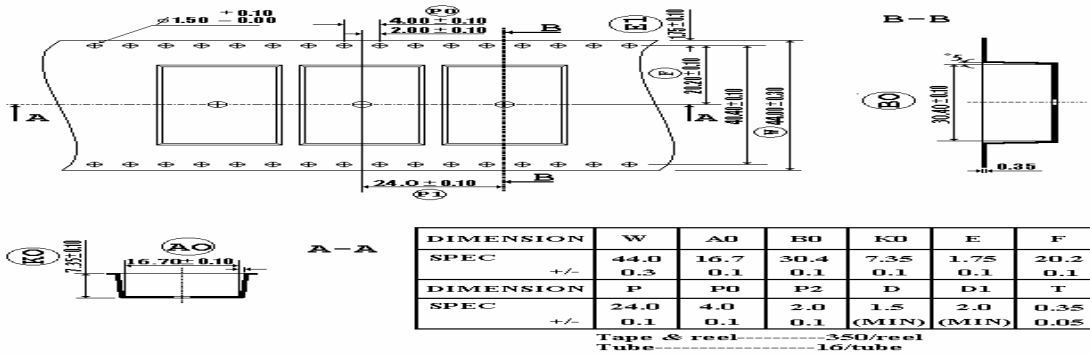
SCHEMATIC:



DIMENSION: mm TOLERANCE:±0.25

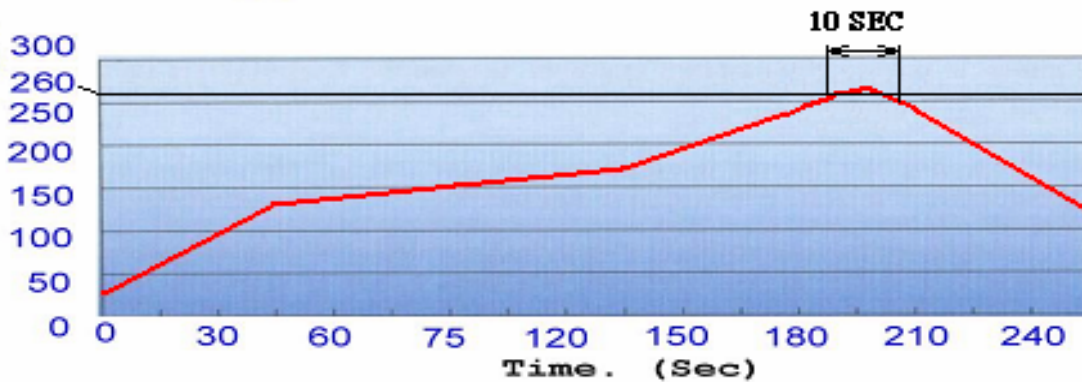


Packing:



MODEL NO.: IHK-002

Profile of IR Reflow (Lead Free)



PACKING	
1.	Tape & Reel : 350pcs / Reel , 1750pcs / Carton
2.	Dry Pack : 1pcs Product Description:(5g Silica Gel Desiccant) PH: 4-8 Package Materials: Paper(Length 6.5±1cm , Width 5±1cm)
3.	Reel Packed By Vocumm
4.	Seal Per Jedec

