



NO:RD-IHK-SD003
DATA:2005/09/20 I (REV:A1)

1000 BASE-T DUAL PORT MAGNETIC MODULES

MODEL NO.: IHK-003

FEATURE:

RoHS Compliant

DESIGNED TO MEET IR REQUIREMENT

ENVIRONMENTAL: At 260 IN 1 MINUTE

Operating Temperature -40 to +85

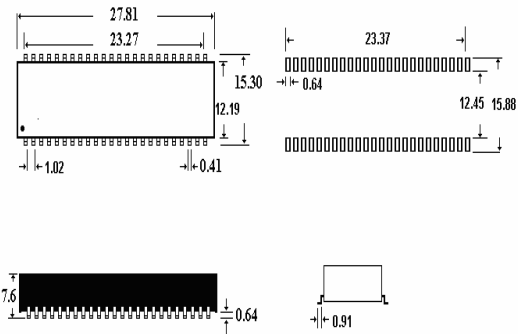
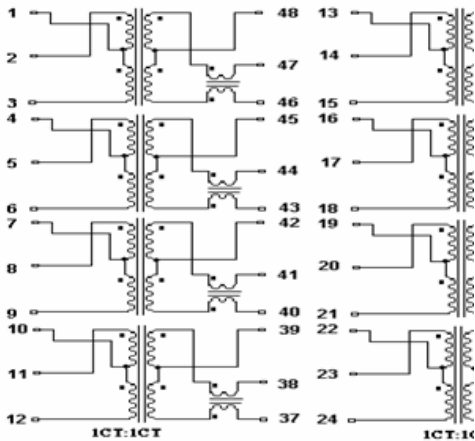
OCL 350uH MIN 8mA dc

Parts Number	Insertion Loss (dB MAX)				Return Loss (dB MIN)		Cross talk (dB MIN)	Differential to Common Mode Rejection (dB TYP)	Hipot (Vrms MIN)
	0.1~1	1~65	65~100	100~125 MHz	0.5~40	40~100MHz	0.1~100MHz	0.1~100MHz	
IHK-003	1.1	0.5	0.8	1.2	10	12	33	30	1500

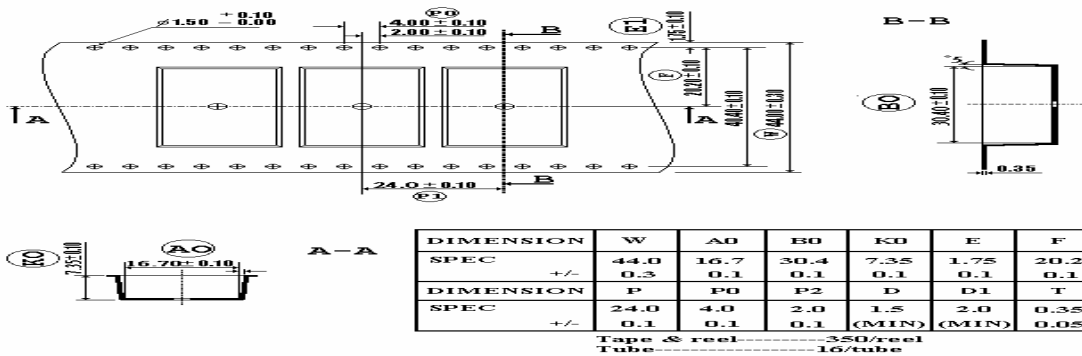
SCHEMATIC:

DIMENSION: mm

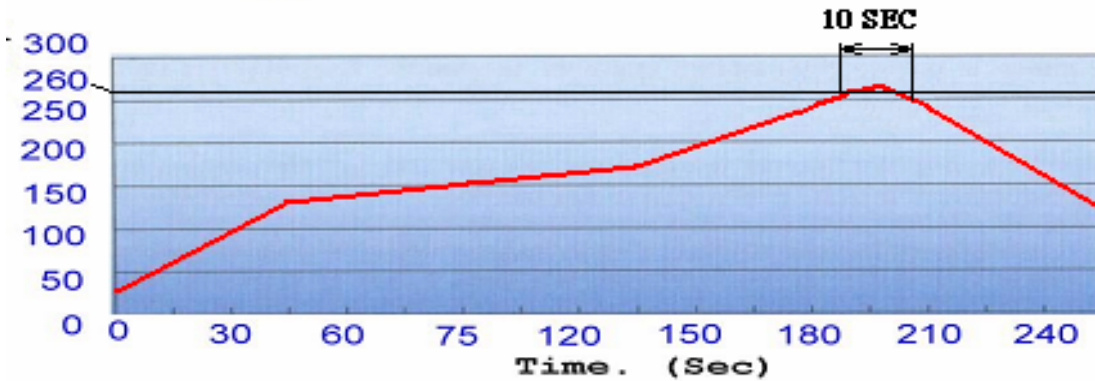
TOLERANCE:±0.25



Packing:



MODEL NO.: IHK-003 Profile of IR Reflow (Lead Free)



PACKING	
1.	Tape & Reel : 350pcs / Reel , 1750pcs / Carton
2.	Dry Pack : 1pcs Product Description:(5g Silica Gel Desiccant) PH: 4-8 Package Materials: Paper(Length 6.5±1cm , Width 5±1cm)
3.	Reel Packed By Vocumm
4.	Seal Per Jedec

