



NO:RD-IHK-SD005
 DATA:2005-09-20 I (REV:A1)

10/100/1000 BASE Enst Transformer

MODEL NO.: IHK-005

FEATURE:

RoHS Compliant

DESIGNED TO MEET IR REQUIREMENT

ENVIRONMENTAL: At 260 IN 1 MINUTE

Operating Temperature -40 to +85

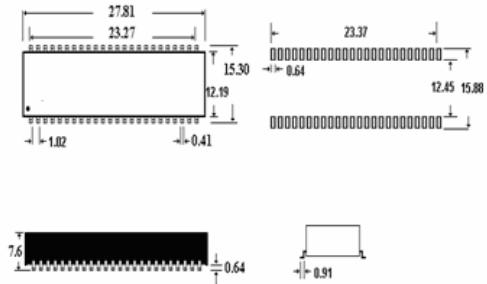
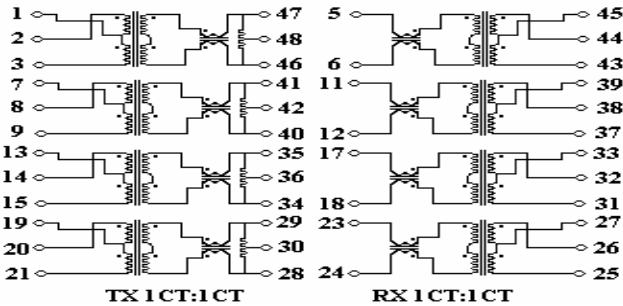
OCL 350uH MIN 8mA DC

Parts Number	Insertion Loss (dB MAX)	Return Loss (dB MIN)				Cross talk (dB MIN)				Differential to Common Mode Rejection (dB TYP)		Hipot (Vrms MIN)
	1-100 MHz	2-30	40	50	60-80MHz	1	30	60	100 MHz	1-60	60-200MHz	
IHK-005	-1.0	-17	-14.5	-13.1	-12	-50	-45	-40	-35	-37	-25	1500

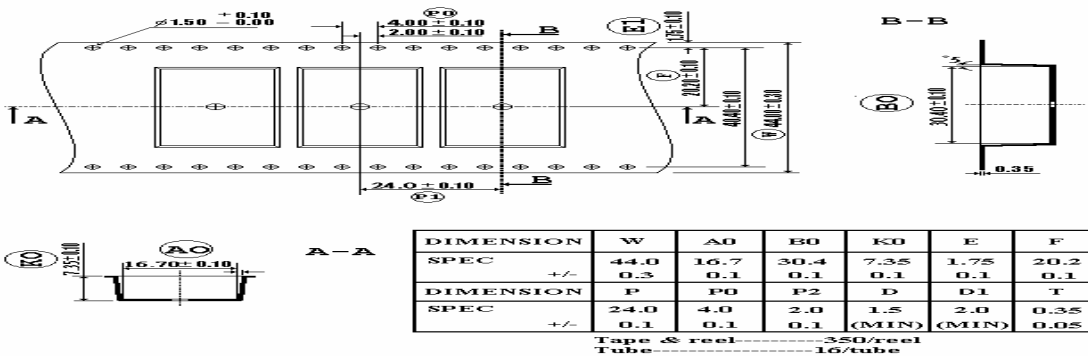
SCHEMATIC:

DIMENSION: mm

TOLERANCE:±0.25

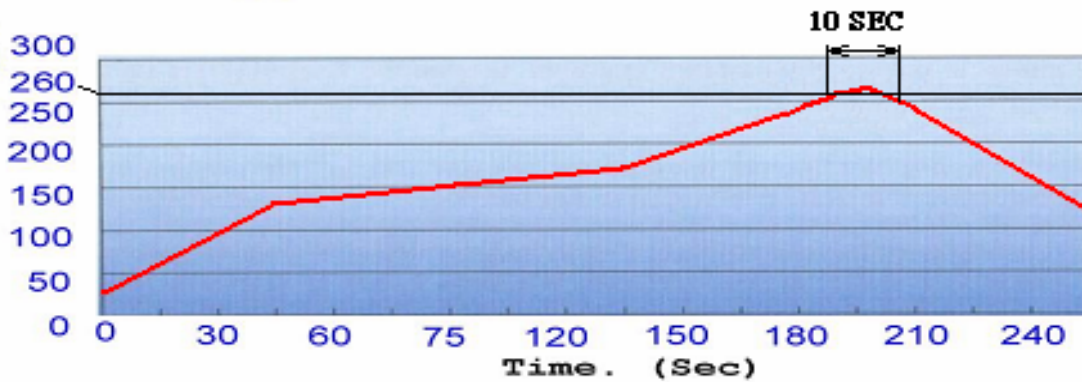


Packing:



MODEL NO.: IHK-005

Profile of IR Reflow (Lead Free)



PACKING	
1.	Tape & Reel : 350pcs / Reel , 1750pcs / Carton
2.	Dry Pack : 1pcs Product Description:(5g Silica Gel Desiccant) PH: 4-8 Package Materials: Paper(Length 6.5±1cm , Width 5±1cm)
3.	Reel Packed By Vocumm
4.	Seal Per Jedec

