



NO:RD-VALOR-ST6160T
 DATA:2005-9-20 I (REV:A1)

10/100/1000 BASE Enst Transformer

MODEL NO.: IHK-006

FEATURE:

RoHS Compliant

RoHS peak solder rating 260

DESIGNED TO MEET IR REQUIREMENT

Operating Temperature -40 to +85

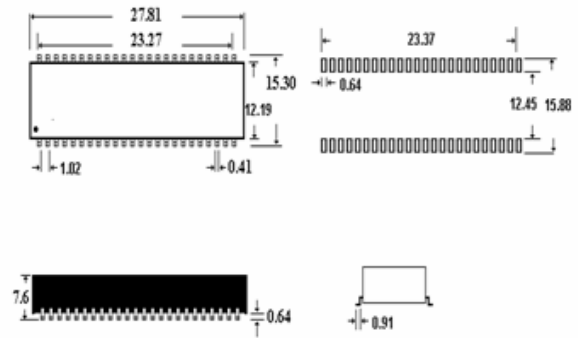
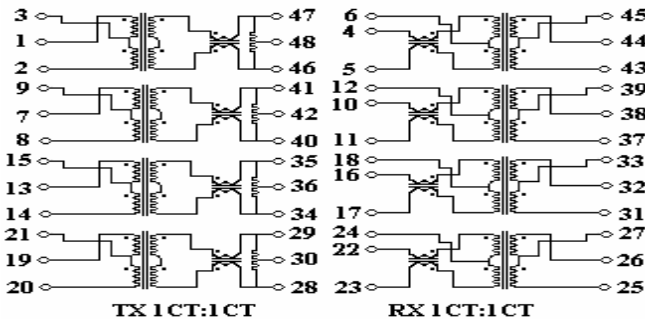
OCL : 350uH MIN 8mA DC

Parts Number	Insertion Loss (dB MAX) TX/RX			Return Loss (dB MIN) TX/RX 100Ω TO 100Ω			Return Loss (dB MIN) 25Ω TO 100Ω	Cross talk (dB MIN) TX/RX	Common Mode Rejection (dB MIN) TX/RX			Hipot (Vrms)
	1-60	100	125MHz	1-30	60	80 MHz	1-80 MHz	1- 80 MHz	1-30	30-100	100-300MHz	
IHK-006	-1.0	-2.0	-3.5	-18	-12	-10	-17	-35	-45	-35	-15	1500

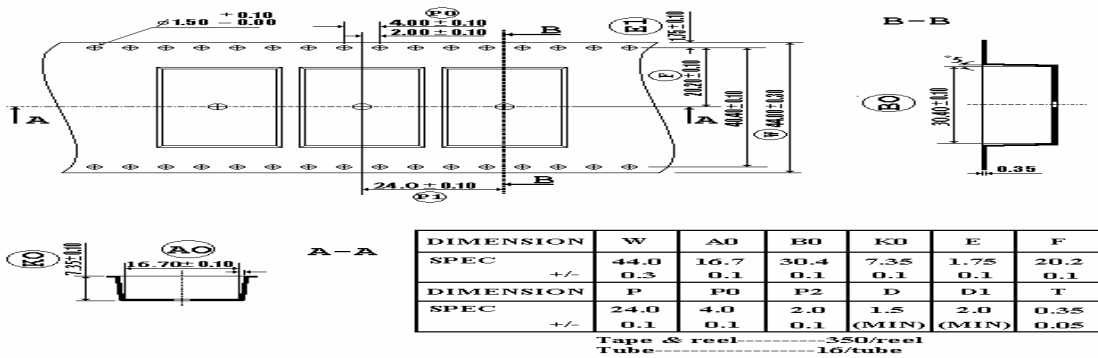
SCHMATIC:

DIMENSION: mm

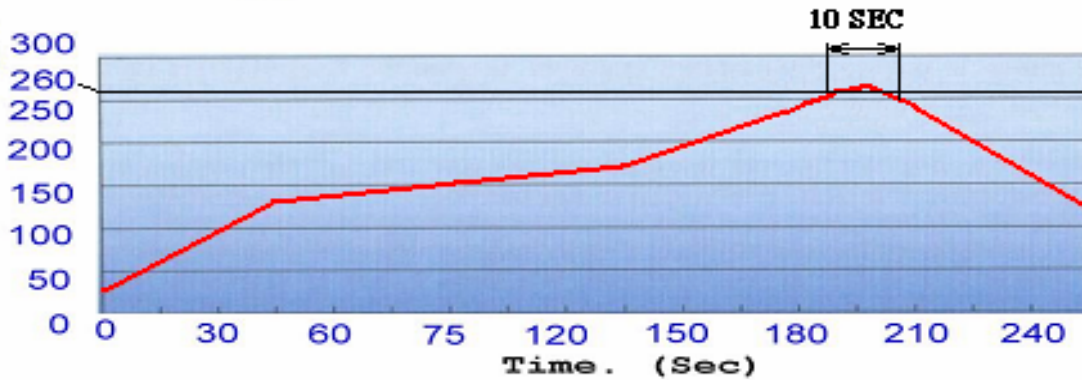
TOLERANCE:±0.25



Packing:



MODEL NO.: IHK-006 Profile of IR Reflow (Lead Free)



PACKING	
1.	Tape & Reel : 350pcs / Reel , 1750pcs / Carton
2.	Dry Pack : 1pcs Product Description:(5g Silica Gel Desiccant) PH: 4-8 Package Materials: Paper(Length 6.5±1cm , Width 5±1cm)
3.	Reel Packed By Vocumm
4.	Seal Per Jedec

