



NO:RD-DELTA-LF9307
DATE:2005/09/20 I (REV:A1)

1000 BASE-T DUAL PORT MAGNETIC MODULES MODEL NO.:IHK-008

FEATURE:

RoHS Compliant

RoHS peak solder rating 260

DESIGNED TO MEET IR REQUIREMENT

ESPECIFICATIONS:AT 25

URNS RATIO RX/TX : 1 : 1

OCL : 350 uH 8mA

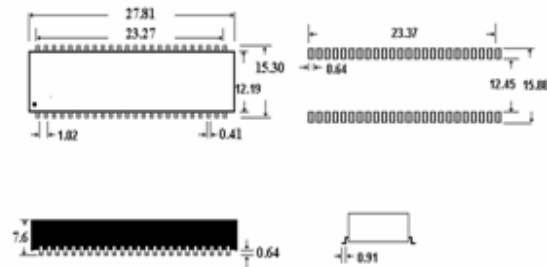
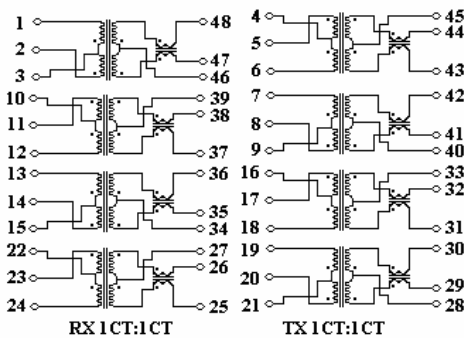
HIPOT : 1500VAC.

Parts Number	Insertion Loss (dB MAX) 0.1-100MHZ	Return Loss (dB MIN)				Cross talk (dB MIN)		Differential to Common Mode Rejection (dB MIN)		
		1-30	40	50	60-80MHZ	1~ 60	100MHZ	30	60	100MHZ
IHK-008	-1.2	-16	-14	-13	-12	-40	-35	-43	-37	-33

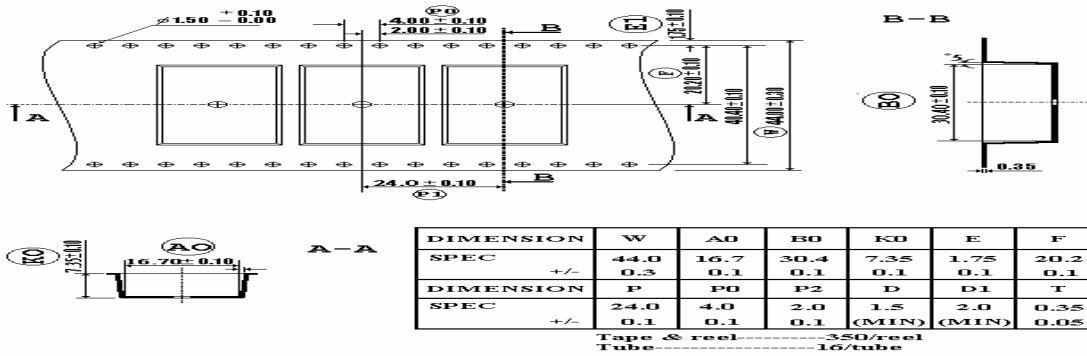
SCHEMATIC:

DIMENSION:

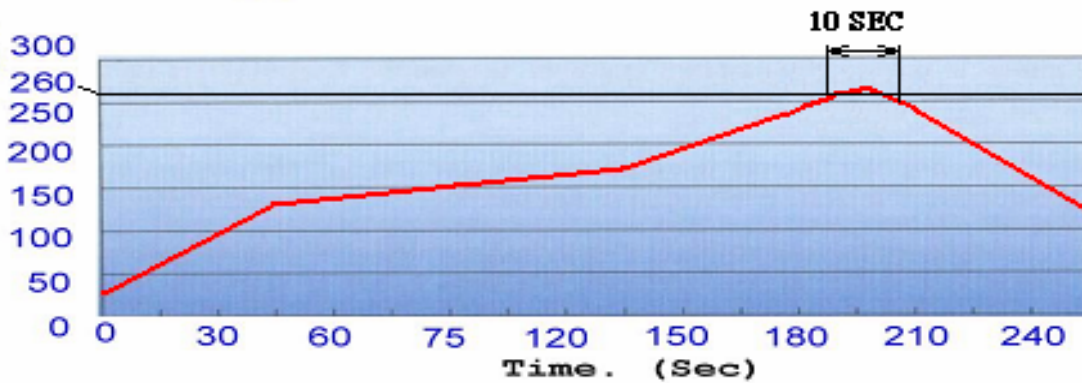
TOLERANCE: mm(±0.25)



Packing:



MODEL NO.: IHK-008 Profile of IR Reflow (Lead Free)



PACKING

1. Tape & Reel : 350pcs / Reel , 1750pcs / Carton
2. Dry Pack : 1pcs
Product Description:(5g Silica Gel Desiccant)
PH: 4-8
Package Materials: Paper(Length 6.5±1cm , Width 5±1cm)
3. Reel Packed By Vacuum
4. Seal Per Jedec

