



NO: RD-LA-SD038  
DATE:2005/11/30 S (REV:A1)

## 10BASE-T SMD MAGNETIC MODULES

MODEL NO.: **LA-038**

Cross Reference No HALO :TG 75-1406N

### FEATURES:

#### RoHS Compliant

Design to meet IR requirement

RoHS peak solder rating 260

Specifications @ 25

Operating temp. : -40 TO +85

URNS RATIO

: 1CT:1CT 1CT:2CT

OCL (PRI)

: 140uH TYP @100KHz 100mV

HI-POT

: 2000 Vms

LL

: 0.4 uH MAX

CWW

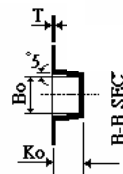
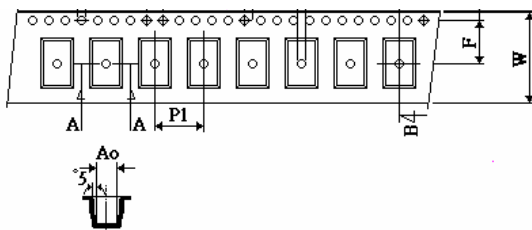
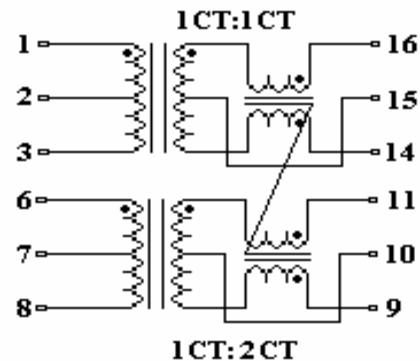
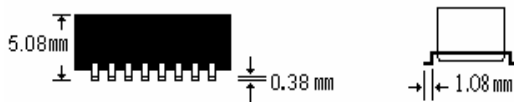
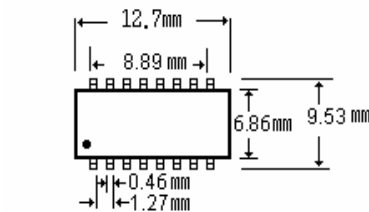
: 15 pF MAX @100KHz 100mV

DCR (PRI)

: 0.3Ω MAX.

DIMENSION:mm(INCH) TOLERANCE:±0.25(0.010)

### SCHEMATICS:



A-A SECTION

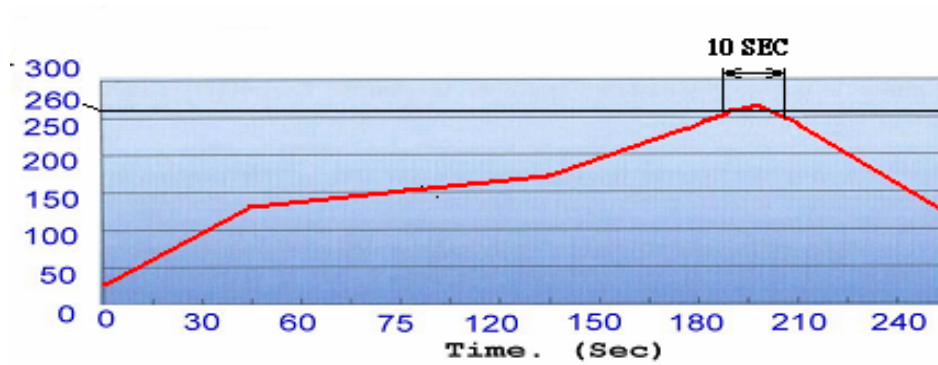
DIMENSION	W	P1	PO	E	F	AO	BO
SPEC.	24.0	16.0	4.0	1.75	11.5	10.0	13.2
+/-	0.30	0.10	0.10	0.10	0.10	0.10	0.10
DIMENSION	KO	P2	Do	D1	10Po	T	
SPEC.	6.8	2.0	1.55	1.5	40.0	0.40	
+/-	0.10	0.10	0.05	(MIN)	0.20	0.10	

Tube.....39/tub

**P** Tape & reel.....:600/ree



NO: RD-LA-SD038  
DATE:2005/11/30 S( REV:A1)



### PACKING

1. Tape & Reel : 600pcs / Reel , 3000pcs / Carton
2. Dry Pack : 1pcs  
Product Description:(5g Silica Gel Desiccant)  
PH: 4-8  
Package Materials: Paper(Length 6.5±1cm , Width 5±1cm)
3. Reel Packed By Vacuum
4. Seal Per JEDEC

