



NO: RD-FT-PE-65723
 DATE:2005/09/26 I (REV: A1)

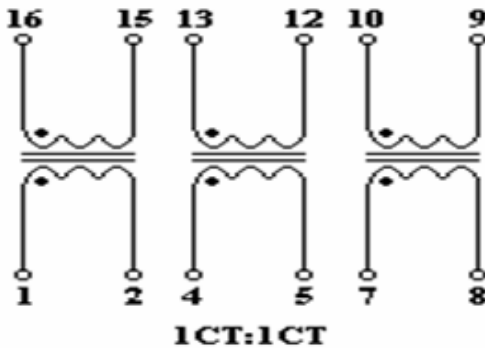
10 BASE-T SOLATION TRANSFORMERS DESIGNED FOR NS CHIPSETS MODEL NO.: LA-076

FEATURE:

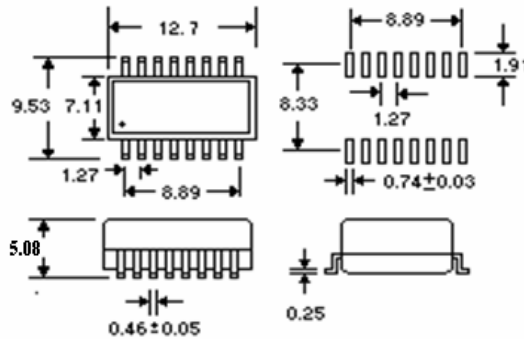
- RoHS Compliant
 - RoHS peak solder rating 260
 - Designed to meet IR requirement
- SPECIFICATIONS: AT 25**

Part Number	Turn Ratio (±2%)	OCL (uH Min)	LL (uH Max)	Cww (pF Max)	DCR (OMax)	HI-POT
LA-076	1CT : 1CT	100KHz 100mV	100KHz 100mV	100KHz 100mV	0.30 MAX	1500V
		75	0.20	10		

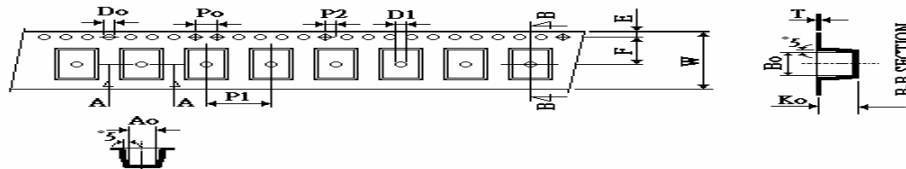
SCHEMATICS:



DIMENSION: mm
 TOLERANCE:±0.25(0.010)



Packing :



DIMENSION	W	P1	PO	E	F	AO	BO	Aot
SPEC.	24.0	16.0	4.0	1.75	11.5	10.0	13.2	0.08
	+/- 0.30	0.10	0.10	0.10	0.10	0.10	0.10	(MIN)
DIMENSION	KO	P2	Do	D1	10Po	T	K1	Bot
SPEC.	6.80	2.0	1.55	1.5	40.0	0.40	6.15	0.08
	+/- 0.10	0.10	0.05	(MIN)	0.20	0.10	0.10	(MIN)

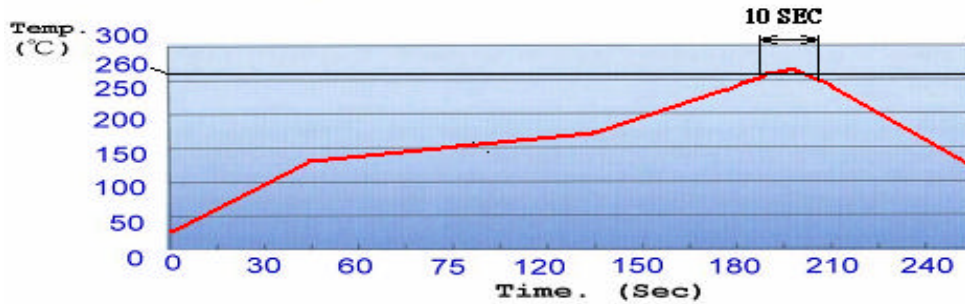
Tape & reel.....:600/reel
 Tube.....:39/tub



NO: RD-FT-PE-65723
DATE:2005/09/26 I (REV: A1)

MODEL NO.: LA-076

Profile of IR Reflow (Lead Free)



PACKING

1. Tape & Reel: 600 pcs / Reel, 3000 pcs / Carton
2. Dry Pack: 1 pc.
Product Description: 5g Silica Gel Desiccant
PH: 4-8
Package Materials: Paper (Length 6.5 ± 1 cm , Width 5 ± 1 cm)
3. Reel: Vacuum Packed
4. Seal as per JEDEC

