

Single 10 BASE-TX Filtered Connector Module MODEL NO. : RJ-036TC1

Features :

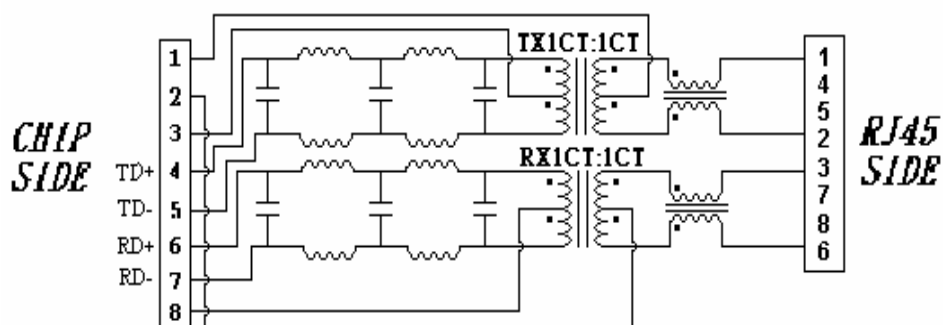
RoHS Compliant

- Fully shielded magnetics protect data from internally generated digital noise
- Reduces the overall length of the signal path for improved common mode performance
- Implements full common mode termination scheme with used and unused twisted pairs
- Meets IEEE802.3 Baseline Wander Compensation specification
- Integrates high voltage capacitor to chassis ground
- Supports all major transceivers with matched turns ration and complete integration of specified termination
- Design for 100base-tx transmission over UTP-5 cable
- Operating TEMP. range:-40 to +85
- Storage TEMP. range:-55 to +125
- Primary OCL inductance: 350 μ H MIN. at 100KHz/0.1Vrms 8mA DC bias

Typical Performance Characteristics@ 25

Insertion Loss TX/RX (dB MAX)	Return Loss TX/RX (dB Min @100)	Differential to Common Mode Rejection (dB MIN)	Attenuation TX/RX (dB MAX)				Cross talk TX/RX (dB MIN)	CMRR TX/RX (dB MIN)	Isolation Voltage (Vrms min)
			20	25	30	40			
MHz	MHz	MHz	MHz				MHz	MHz	1200
1-10	5-10	0.3~100	20	25	30	40	1-10	30~100	
-1.0	-13.5	-35	-5/-4.2	-18/-11	-28/-16	-33/-26	-30/-30	-30/-30	

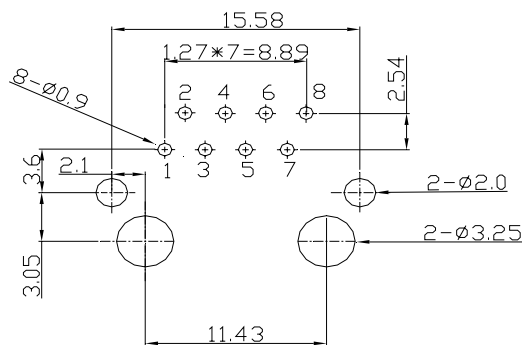
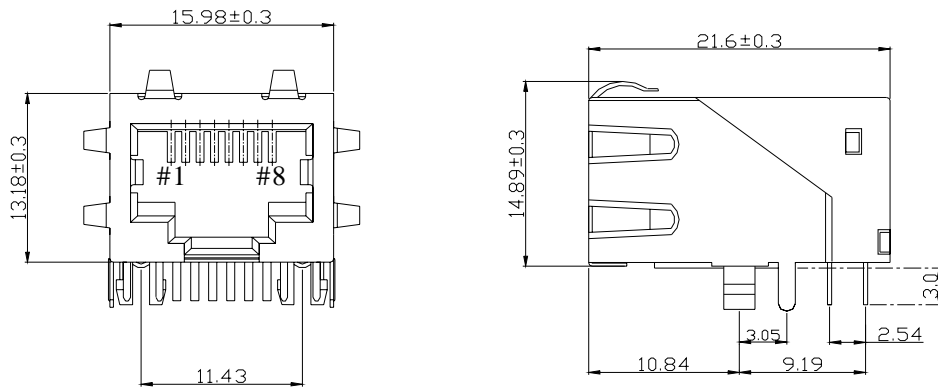
Schematic: Design on MDI Interface Circuitry



MODEL NO. : RJ-036TC1

Dimension: mm

TOLERANCE: ± 0.15 (unless otherwise specified)



RECOMMENDED P.C.B LAYOUT
COMPONENT SIDE OF BOARD



NUMBER:RD-SDRJ-036TC1
DATE : 2005/09/02 -I(REV:A1)

MODEL NO. : RJ-036TC1

C. Shield Material :

Cartridge $t=0.25\text{mm}$

10 μ ”-20 μ ” Thick Nickel over Brass.

3. Ratings

- (1) Voltage rating : 125 VAC**
- (2) Current rating : 1.5A**

Durability :

- (1) 1000 cycles with no function damage for RJ-45 . Abnormalities shall be present after the test.**
- (2) Low Level Contact Resistance : $\Delta R=30\text{m}\Omega$ maximum (final).**
- (3) The sample should be mounted in the tester and fully mated and unmated 500 times per hour at the rate of 25mm/min. EIA-364-09C.**

MODEL NO.: RJ-036TC1

1. Unit weight :5.7 grams
2. package : 100 pcs / tray / 0.61 kgms
3. Carton : 1000 pcs / 10 layers of tray
4. Gross weight : 6.6455 kgms

Package drawing:

