

## Quad 10/100 BASE-TX Filtered Connector Module MODEL NO. : RJ14-007TC1

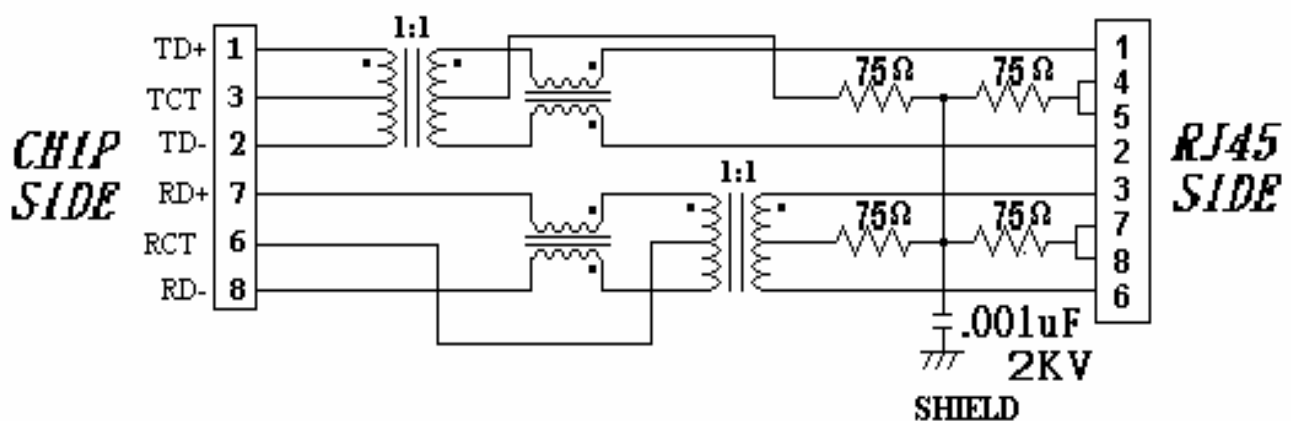
### Features:

- RoHS Compliant
- Fully shielded magnetics protect data from internally generated digital noise
- Reduces the overall length of the signal path for improved common mode performance
- Implements full common mode termination scheme with used and unused twisted pairs
- Meets IEEE802.3 Baseline Wander Compensation specification
- Integrates high voltage capacitor to chassis ground
- Supports all major transceivers with matched turns ration and complete integration of specified termination
- Design for 100base-tx transmission OVER UTP-5 cable
- Operating TEMP. range:-40 to +85
- Storage TEMP. range:-55 to +125
- Primary OCL inductance:350uH MIN. at 100KHz/0.1Vrms 8mA DC bias.

### Typical Performance Characteristics@ 25C

Insertion Loss (dB MAX)	Return Loss (dB Min @100±15Ω)				Differential to Common Mode Rejection (dB MIN)	Cross talk (dB MIN)					CMRR (dB MIN)	Isolation Voltage (Vrms min)
MHz	MHz				MHz	MHz					MHz	1500
1~100	1~30	40	50	60~80	1~100	20	40	60	80	100	1~100	
-1.0	-16	-14	-12	-10	-33	-47	-40	-37	-35	-33	-30	

### Schematic: Design on MDI Interface Circuitry







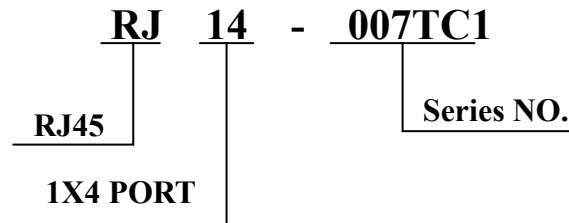
NUMBER:RD-SDRJ14-007TC1  
DATE :2005/09/08 I (REV:A1)

---

---

## MODEL NO. : RJ14-007TC1

### Ordering Information



## Requirements :

### 1.Design and Construction

Product shall be of design, construction and physical dimensions specified on applicable product drawing.

### 2.Materials and Finish

#### A. Contact:

**RJ Contact : Phosphor Bronze, Thickness=0.35mm**

**Finish : Contact Area :6 $\mu$ "min. Gold over 50 $\mu$ "min. Nickel**

**RJ Joint Contact : Brass, Thickness=0.4mm**

**Finish : 80 $\mu$ "min. Sn over 50 $\mu$ "min. Nickel**

#### B. Plastic Part :

**(1) Set Housing : Thermoplastic, PBT, Black**

**UL FILE NO. : E107536**

**Manufacturer : SHIKONG SYNTHETIC FIBERS CORP.**

**Grade : E202G30BK**

**Flame Class : UL 94V-0**

**(2) Insert : Thermoplastic, PBT, Black**

**UL FILE NO. : E107536**

**Manufacturer : SHIKONG SYNTHETIC FIBERS CORP.**

**Grade : E202G30BK**

**Flame Class : UL 94V-0**

**(3) Spacer : Thermoplastic, PBT, Black**

**UL FILE NO. : E107536**

**Manufacturer : SHIKONG SYNTHETIC FIBERS CORP.**

**Grade : E202G30BK**

**Flame Class : UL 94V-0**

#### C. Shield Material :

**Cartridge t=0.25mm**

**10  $\mu$ "-20  $\mu$ " Thick Nickel over Brass**



NUMBER:RD-SDRJ14-007TC1  
DATE :2005/09/08 I (REV:A1)

---

## **MODEL NO. : RJ14-007TC1**

### **3. Ratings**

- (1) Voltage rating : 125 VAC**
- (2) Current rating : 1.5A**

### **Durability :**

**1000 cycles with no function damage for RJ-45 . Abnormalities shall be present after the test.**

**Low Level Contact Resistance : R=30m maximum (final)**

**The sample should be mounted in the tester and fully mated and unmated 500 times per hour at the rate of 25mm/min.**

**EIA-364-09C.**



NUMBER:RD-SDRJ14-007TC1  
DATE :2005/09/08 I (REV:A1)

---

---

## MODEL NO. : RJ14-007TC1

1. Unit weight :18.2 grams
2. package : 36 pcs / tray / 0.6952 kgms
3. Carton : 360 pcs / 10 layers of tray
4. Gross weight : 7.645 kgms

### Package drawing:

