

## Single 10/100/1000 BASE-TX Filtered Connector Module MODEL NO. : RJG-008TC1

### Features :

**RoHS Compliant**

**Fully shielded magnetics protect data from internally generated digital noise**

**Reduces the overall length of the signal path for improved common mode performance**

**Implements full common mode termination scheme with used and unused twisted pairs**

**Meets IEEE802.3 Baseline Wander Compensation specification**

**Integrates high voltage capacitor to chassis ground**

**Supports all major transceivers with matched turns ration and complete integration of specified termination**

**Design for 100base-tx transmission over UTP-5 cable**

**Operating TEMP. range:-40 to +85**

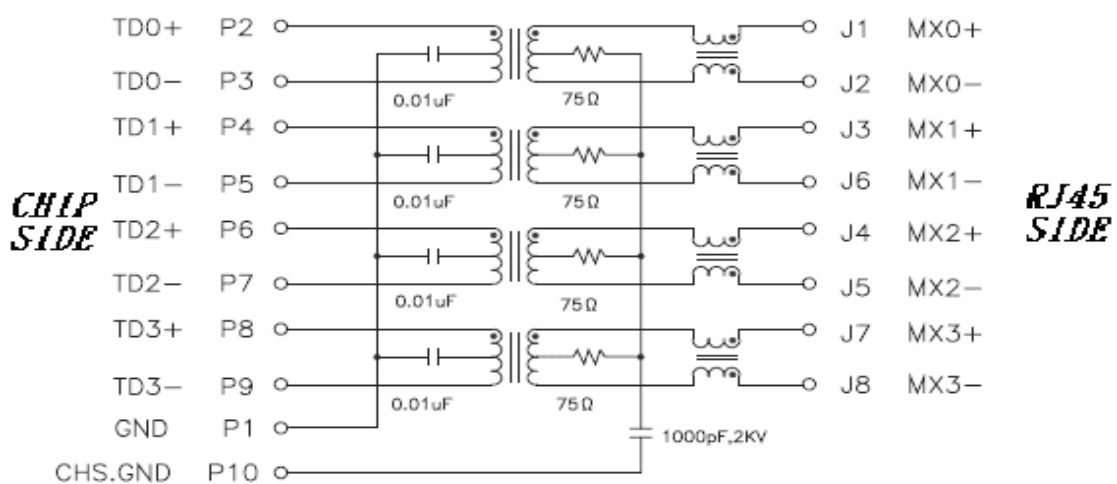
**Storage TEMP. range:-55 to +125**

**Primary OCL inductance: 350  $\mu$  H MIN. at 100KHz/0.1Vrms 8mA DC bias**

## Typical Performance Characteristics @ 25

Insertion Loss (dB MAX)	Return Loss (dB Min @100 $\Omega$ $\pm$ 15 $\Omega$ )					Differential to Common Mode Rejection (dB MIN)	Cross talk (dB MIN)					CMRR (dB MIN)	Isolation Voltage (Vrms min)
	MHz	MHz					MHz	MHz					
1~100	1~30	40	60	80~100		1~100	20	40	60	80	100	1~100	1500
-1.0	-16	-14	-12	-10		-33	-47	-40	-37	-35	-33	-30	

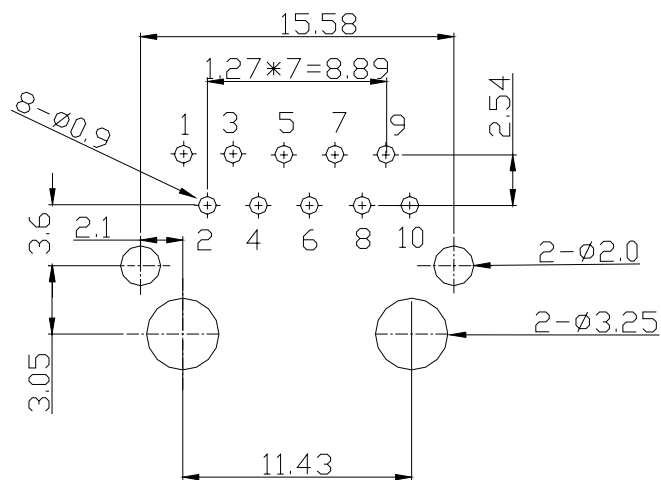
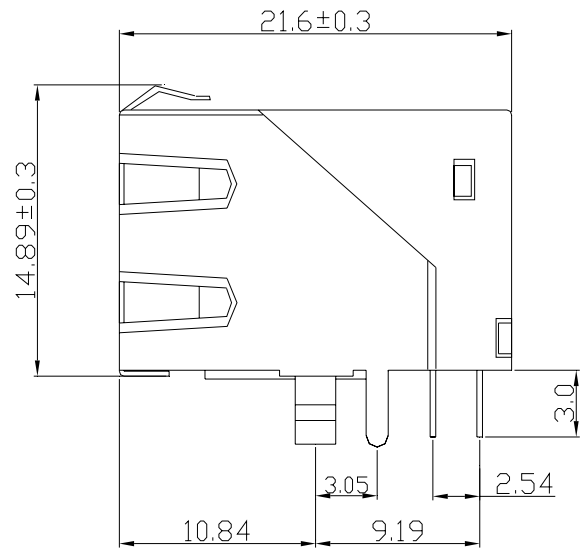
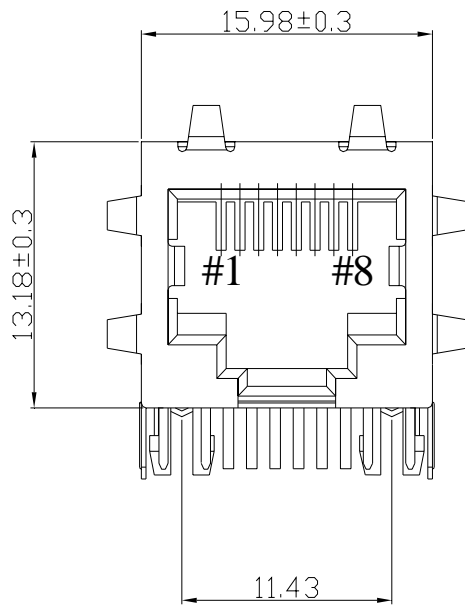
## Schematic: Design on MDI Interface Circuitry



## MODEL NO. : RJG-008TC1

**Dimension:** mm

**TOLERANCE:**±0.15 (Unless otherwise specified )



RECOMMENDED P.C.B LAYOUT  
COMPONENT SIDE OF BOARD



NUMBER:RD-SDRJG-008TC1  
DATE : 2005/11/25 - S (REV:A1)

---

## MODEL NO. : RJG-008TC1

### Ordering Information

R J G - 0 0 8 T C 1

R J 4 5	R J G	-	0 0 8 T C 1
			Series N O .
			1 0 0 0 B a s e

## Requirements :

### 1.Design and Construction

Product shall be of design, construction and physical dimensions specified on applicable product drawing.

### 2.Materials and Finish

#### A. Contact:

RJ Contact : Phosphor Bronze, Thickness=0.30mm

Finish : Contact Area : 6 $\mu$ "min. Gold over 50 $\mu$ "min. Nickel

RJ Joint Contact : Brass, Thickness=0.30mm

Finish : 80 $\mu$ "min. Sn over 50 $\mu$ "min. Nickel

#### B. Plastic Part :

(1) Set Housing : Thermoplastic, PBT, Black

UL FILE NO. : E107536

Manufacturer : SHIKONG SYNTHETIC FIBERS CORP.

Grade : E202G30BK

Flame Class : UL 94V-0

(2) Insert : Thermoplastic, PBT, Black

UL FILE NO. : E107536

Manufacturer : SHIKONG SYNTHETIC FIBERS CORP.

Grade : E202G30BK

Flame Class : UL 94V-0

(3) Spacer : Thermoplastic, PBT, Black

UL FILE NO. : E107536

Manufacturer : SHIKONG SYNTHETIC FIBERS CORP.

Grade : E202G30BK

Flame Class : UL 94V-0



NUMBER:RD-SDRJG-008TC1  
DATE : 2005/11/25 - S (REV:A1)

---

## **MODEL NO. : RJG-008TC1**

### **C. Shield Material :**

**Cartridge Thickness=0.25mm**

**10 $\mu$ "-20 $\mu$ " Thick Nickel over Brass**

### **3. Ratings**

**(1) Voltage rating : 125 VAC**

**(2) Current rating : 1.5A**

### **Durability :**

- (1) 1000 cycles with no function damage for RJ-45 . Abnormalities shall be present after the test.**
- (2) Low Level Contact Resistance :  $\Delta R=30m\Omega$  maximum (final).**
- (3) The sample should be mounted in the tester and fully mated and unmated 500 times per hour at the rate of 25mm/min. EIA-364-09C.**

## MODEL NO. : RJG-008TC1

1. Unit weight :5.7 grams
2. package : 100 pcs / tray / 0.61 kgms
3. Carton : 1000 pcs / 10 layers of tray
4. Gross weight : 6.6455 kgms

### Package drawing:

