

## Single 10/100 BASE-TX Filtered Connector Module MODEL NO. : RJLB-058TC1

### Features :

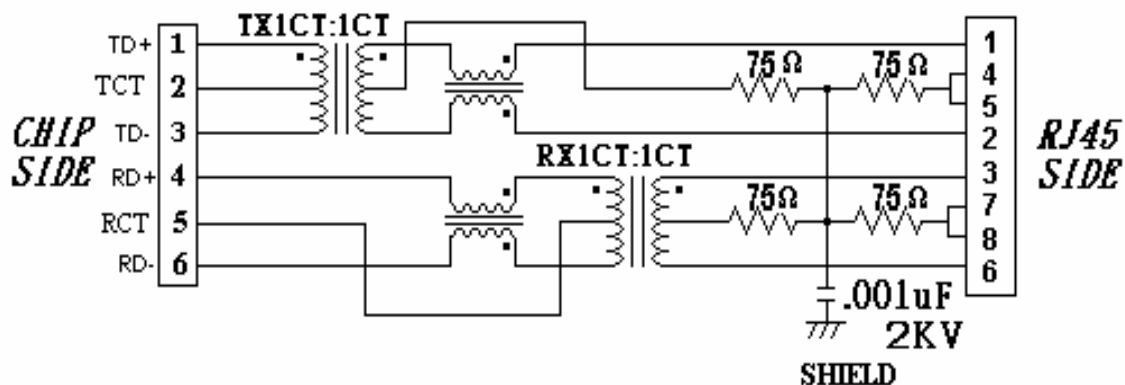
#### RoHS Compliant

- Fully shielded magnetics protect data from internally generated digital noise
- Reduces the overall length of the signal path for improved common mode performance
- Implements full common mode termination scheme with used and unused twisted pairs
- Meets IEEE802.3 Baseline Wander Compensation specification
- Integrates high voltage capacitor to chassis ground
- Supports all major transceivers with matched turns ration and complete integration of specified termination
- Design for 100base-tx transmission over UTP-5 cable
- Operating TEMP. range: -40°C to +85°C
- Storage TEMP. range: -55°C to + 125°C
- Primary OCL inductance: 350μH MIN. at 100KHz/0.1Vrms with 8mA DC bias.
- With the LED lamp.

### Typical Performance Characteristics @ 25°C

Insertion Loss (dB MAX)	Return Loss (dB Min @100±15Ω)				Differential to Common Mode Rejection (dB MIN)	Cross talk (dB MIN)					CMRR (dB MIN)	Isolation Voltage (Vrms min)
MHz	MHz				MHz	MHz					MHz	1500
1~100	1~30	40	50	60~80	1~100	20	40	60	80	100	1~100	
-1.0	-16	-14	-12	-10	-33	-47	-40	-37	-35	-33	-30	

### Schematic Design on MDI Interface Circuitry



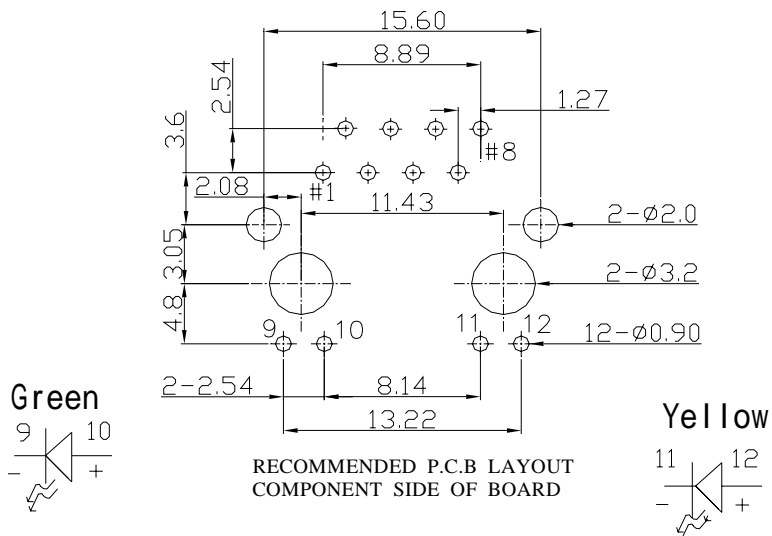
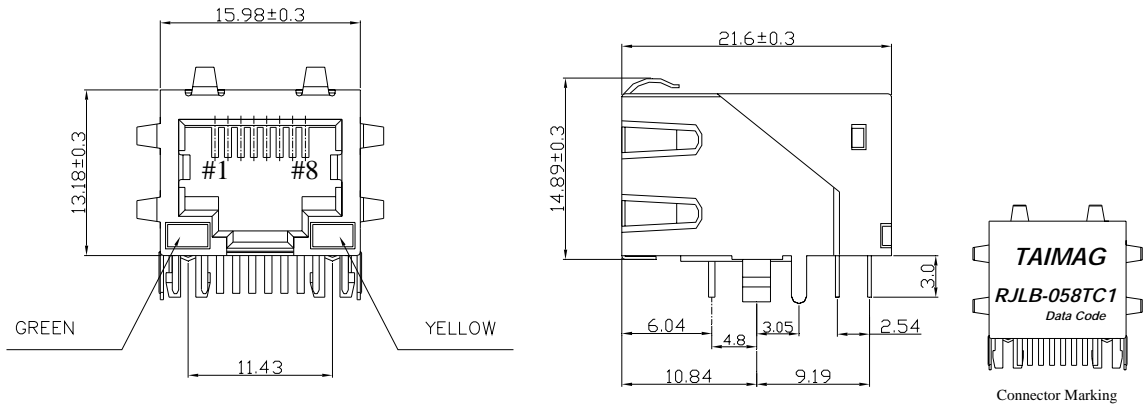


NUMBER : RD-SDRJLB-058TC1  
DATE :2005/09/09 – I (REV:A1)

# MODEL NO. : RJLB-058TC1

Dimension: mm

TOLERANCE :  $\pm 0.15$  (unless otherwise specified)







NUMBER : RD-SDRJLB-058TC1  
DATE :2005/09/09 – I (REV:A1)

---

## **MODEL NO. : RJLB-058TC1**

**Flame Class : UL 94V-0**

### **C. Shield Material :**

**Cartridge t=0.25mm**

**10 $\mu$ "-20 $\mu$ " Thick Nickel over Brass**

### **D. LED Lamp**

**(a) Lens Color : Transparent with color**

**(b) Emitted Color : Green & Yellow**

**(c) View Angle : 65°**

**(d) Wave Length : Green 565nm ; Yellow 585nm**

**(e) Recommended operation current (IF) : 20 mA**

### **3. Ratings**

**(1) Voltage rating : 125 VAC**

**(2) Current rating : 1.5A**

### **Durability :**

**(1) 1000 cycles with no function damage for RJ-45 . Abnormalities shall be present after the test.**

**(2) Low Level Contact Resistance :  $\Delta R=30m\Omega$  maximum (final)**

**(3) The sample should be mounted in the tester and fully mated and unmated 500 times per hour at the rate of 25mm/min.EIA-364-09C.**



NUMBER : RD-SDRJLB-058TC1  
DATE :2005/09/09 – I (REV:A1)

## Model NO.: RJLB-058TC1

1. Unit weight :5.7 grams
2. package : 100 pcs / tray / 0.61 kgms
3. Carton : 1000 pcs / 10 layers of tray
4. Gross weight : 6.6455 kgms

### Package drawing:

