

10/100 BASE FILTER WITH DUAL USB 2.0 CONNECTOR

Model NO. : RJLU-005TA1

Cross Reference No. Pulse JU054P01R

Feature:

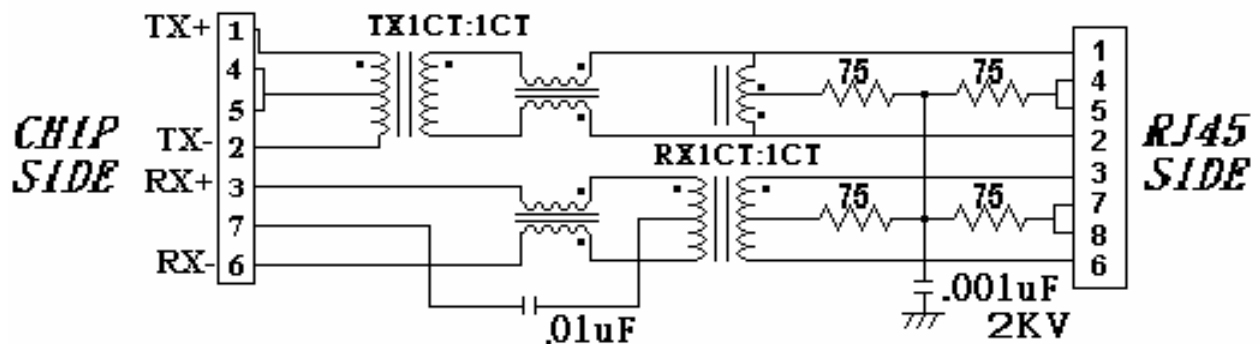
RoHS Compliant

- Fully shielded magnetic protect data from internally generated digital noise
- Reduces the overall length of the signal path for improved common mode performance
- Implements full common mode termination scheme with used and unused twisted pairs
- Meets IEEE802.3 Baseline Wander Compensation specification
- Integrates high voltage capacitor to chassis ground
- Supports all major transceivers with matched turns ration and complete integration of specified termination
- Design for 100base-tx transmission over UTP-5 cable
- Operating TEMP. range : -40 to +85
- Storage TEMP. range : -55 to +125
- Primary OCL inductance : 350 μ H MIN. at 100KHz/100mV with 8mA DC bias
- With the LED lamp

Typical Performance Characteristics@ 25

Insertion Loss (dB MAX)	Return Loss (dB Min @100 \pm 15 Ω)				Differential to Common Mode Rejection (dB MIN)	Cross talk (dB MIN)					CMRR (dB MIN)	Isolation Voltage (Vrms min)
	MHz					MHz						
1~100	1~30	40	50	60~80	1~100	20	40	60	80	100	1~100	
-1.0	-16	-14	-12	-10	-33	-47	-40	-37	-35	-33	-30	

Schematic: Design on MDI Interface Circuitry



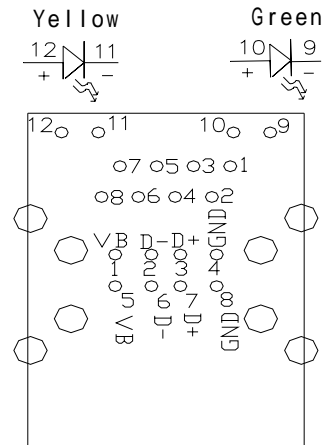
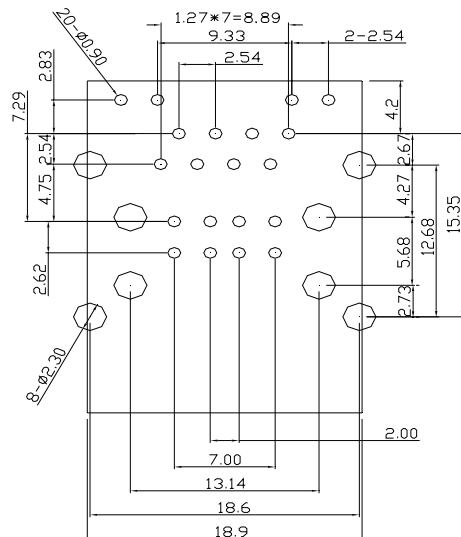
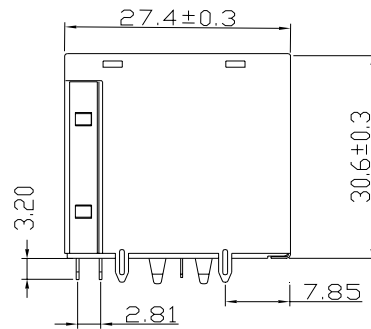
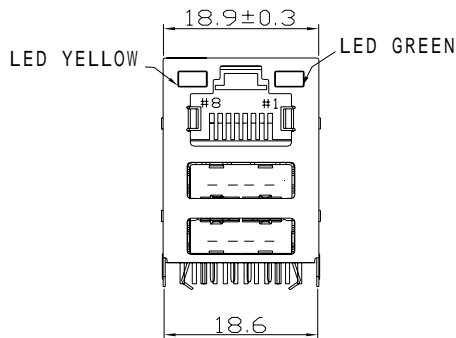
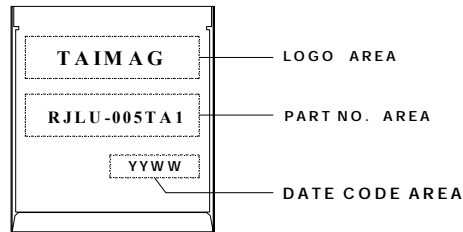


NO.:RD-RJ-SDRJLU-005TA1
 DATE :2005/09/06 I (REV:A1)

Model NO.: RJLU-005TA1

Dimension: mm

TOLERANCE:±0.15 (Unless otherwise specified)



RECOMMENDED P.C.B LAYOUT
 COMPONENT SIDE OF BOARD



NO.:RD-RJ-SDRJLU-005TA1
DATE :2005/09/06 I (REV:A1)

Model NO.: RJLU-005TA1

Ordering Information

R J 4 5	R J L U	- 0 0 5 T A 1
W i t h L E D		S e r i e s N O .
		w i t h U S B

Requirements :

1. Design and Construction

Product shall be of design, construction and physical dimensions specified on applicable product drawing.

2. Materials and Finish

A. Contact:

RJ Contact : Phosphor Bronze, Thickness=0.30mm

Finish : (a) Contact Area : 6 μ "min. Gold over 50 μ "min. Nickel

RJ Joint Contact : Brass, Thickness=0.40mm

Finish : 80 μ "min. Sn over 50 μ "min. Nickel

USB Contact : Phosphor Bronze, Thickness=0.25mm

Finish : (a) Contact Area : 30 μ "min. Gold over 50 μ "min. Nickel

LED Joint Contact : Brass, Thickness=0.30mm

Finish : 80 μ "min. Sn over 50 μ "min. Nickel

B. Plastic Part :

(1) Set Housing : Thermoplastic, PBT, Black

UL FILE NO. : E107536

Manufacturer : NAN YA PLASTICS CORP.

Grade :1403G3

Flame Class : UL 94V-0

(2) Insert : Thermoplastic, PBT, Black

UL FILE NO. : E107536

Manufacturer : MITSUI Petrochemical Industries

Grade : CH230N

Flame Class : UL 94V-0

(3) Spacer : Thermoplastic, PBT, Black



NO.:RD-RJ-SDRJLU-005TA1
DATE :2005/09/06 I (REV:A1)

UL FILE NO. : E107536

Manufacturer : NAN YA PLASTICS CORP.

Grade : 1403G3

Flame Class : UL 94V-0

C. Shield Material :

Cartridge $t=0.25\text{mm}$

$10\mu\text{''}$ - $20\mu\text{''}$ Thick Nickel over Brass

D. LED Lamp

(a) Lens Color : Transparent with color

(b) Emitted Color : Green & Yellow

(c) View Angle : 65°

(d) Wave Length : Green 565nm ; Yellow 585nm

(e) Recommended operation current (IF) : 20 mA

3. Ratings

(1) Voltage rating : 125 VAC

(2) Current rating : 1.5A

Durability :

(1) 1000 cycles with no function damage for RJ-45 . Abnormalities shall be present after the test.

(2) Low Level Contact Resistance : $\Delta R=30\text{m}\Omega$ maximum (final)

(3) The sample should be mounted in the tester and fully mated and unmated 500 times per hour at the rate of 25mm/min. EIA-364-09C.

Model NO.: RJLU-005TA1

1. Unit weight :20.6 grams
2. package : 50 pcs / tray / 1.044 kgms
3. Carton : 400 pcs / 8 layers of tray
4. Gross weight : 8.964 kgms

Package drawing:

