

## 10/100/1000 BASE FILTER WITH DUAL USB 2.0 CONNECTOR Model NO.: RJLUG-033TA1

### Feature:

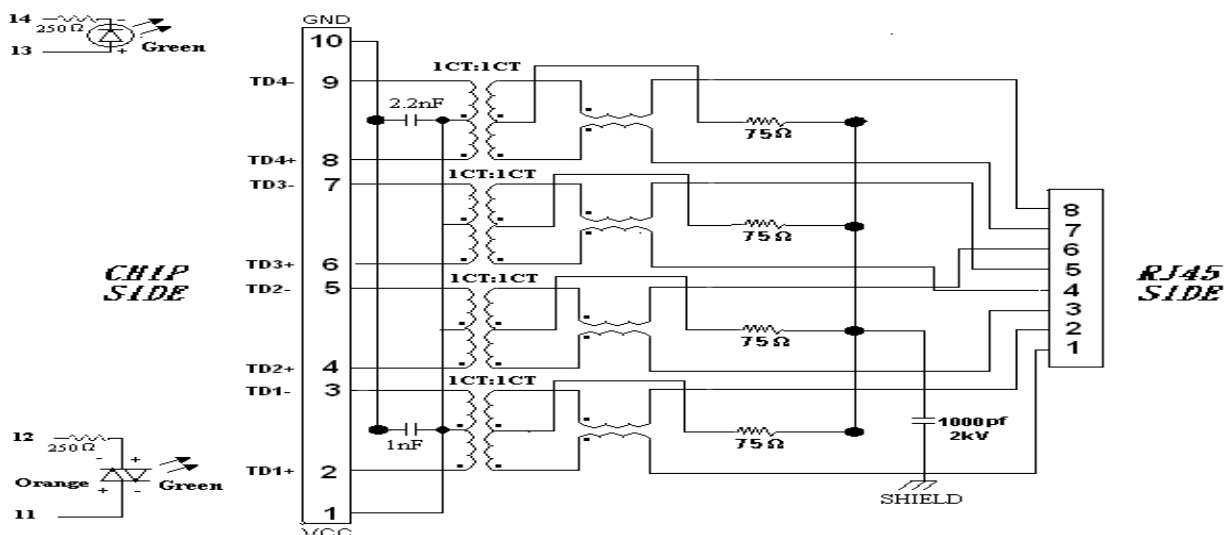
#### ☉ RoHS Compliant

- Fully shielded magnetics protect data from internally generated digital noise
- Reduces the overall length of the signal path for improved common mode performance
- Implements full common mode termination scheme with used and unused twisted pairs
- Meets IEEE802.3 Baseline Wander Compensation specification
- Integrates high voltage capacitor to chassis ground
- Supports all major transceivers with matched turns ration and complete integration of specified termination
- Design for 1000BASE-tx transmission over UTP-5 cable.
- Operating TEMP. range: -40 to +85
- Storage TEMP. range: -55 to + 125
- Primary OCL inductance: 350uH MIN. at 100KHz/0.1Vrms with 8mA DC bias.
- With the LED lamp.

### Typical Performance Characteristics@ 25C

Insertion Loss (dB MAX)	Return Loss (dB Min @100±15Ω)					Differential to Common Mode Rejection (dB MIN)	Cross talk (dB MIN)					CMRR (dB MIN)	Isolation Voltage (Vrms min)
	MHz						MHz						
1~100	1~30	40	50	60~80		1~100	20	40	60	80	100	1~100	1500
-1.0	-16	-14	-12	-10		-33	-47	-40	-37	-35	-33	-30	

### Schematic Design on MDI Interface Circuitry

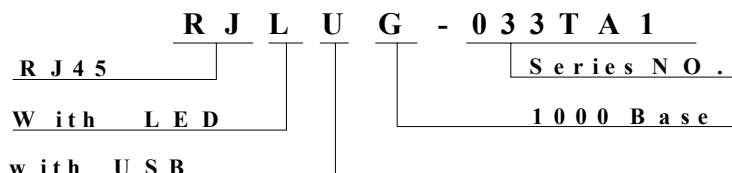






## Model NO.: RJLUG-033TA1

### Ordering Information



### Requirements :

#### 1. Design and Construction

Product shall be of design, construction and physical dimensions specified on applicable product drawing.

#### 2. Materials and Finish

##### A. Contact:

RJ Contact : Phosphor Bronze, Thickness=0.30mm

Finish : (a) Contact Area : 6 $\mu$ "min. Gold

RJ Joint Contact : Brass, Thickness=0.4mm

Finish : 80 $\mu$ "min. Sn

USB Contact : Phosphor Bronze, Thickness=0.25mm

Finish : (a) Contact Area : 30 $\mu$ "min. Gold

LED Joint Contact : Brass, Thickness=0.30mm

Finish : 80 $\mu$ "min. Sn

##### B. Plastic Part :

(1) Set Housing : Thermoplastic, PBT, Black

UL FILE NO. : E107536

Manufacturer : SHIKONG SYNTHETIC FIBERS CORP.

Grade : E202G30BK

Flame Class : UL 94V-0

(2) Insert : Thermoplastic, PBT, Black

UL FILE NO. : E107536

Manufacturer : SHIKONG SYNTHETIC FIBERS CORP.

Grade : E202G30BK

Flame Class : UL 94V-0



NUMBER:RD-SDRJLUG-033TA1  
DATE : 2005/09/08 I (REV:A1)

---

## **Model NO.: RJLUG-033TA1**

**(3) Spacer : Thermoplastic, PBT, Black**

**UL FILE NO. : E107536**

**Manufacturer : SHIKONG SYNTHETIC FIBERS CORP.**

**Grade : E202G30BK**

**Flame Class : UL 94V-0**

### **C. Shield Material :**

**Cartridge  $t=0.25\text{mm}$**

**$10\mu\text{''}$ - $20\mu\text{''}$  Thick Nickel over Brass**

### **D. LED Lamp**

**(a) Lens Color : Transparent with color**

**(b) Emitted Color : Green, Orange**

**(c) View Angle :  $65^\circ$**

**(d) Wave Length : Green 568nm ; Orange 610nm**

**(e) Recommended operation current (IF) : 20 mA**

### **3. Ratings**

**(1) Voltage rating : 125 VAC**

**(2) Current rating : 1.5A**

### **Durability :**

**1000 cycles with no function damage for RJ-45 . Abnormalities shall be present after the test.**

**Low Level Contact Resistance :  $\Delta R=30\text{m}\Omega$  maximum (final)**

**The sample should be mounted in the tester and fully mated and unmated 500 times per hour at the rate of 25mm/min. EIA-364-09C.**



NUMBER:RD-SDRJLUG-033TA1  
DATE : 2005/09/08 I (REV:A1)

## Model NO.: RJLUG-033TA1

1. Unit weight :20.6 grams
2. package : 50 pcs / tray / 1.044 kgms
3. Carton : 400 pcs / 8 layers of tray
4. Gross weight : 8.964 kgms

### Package drawing:

