



0.5~1Watt / 8Pins DIL / 1000Vdc Isolation / Package F

FEATURES:

1. High Reliable, High Performance
2. 8Pins DIL Package
3. 1000Vdc Input/Output Isolation
4. No External Components Required
5. Low Profile and Compact Size

APPLICATIONS:

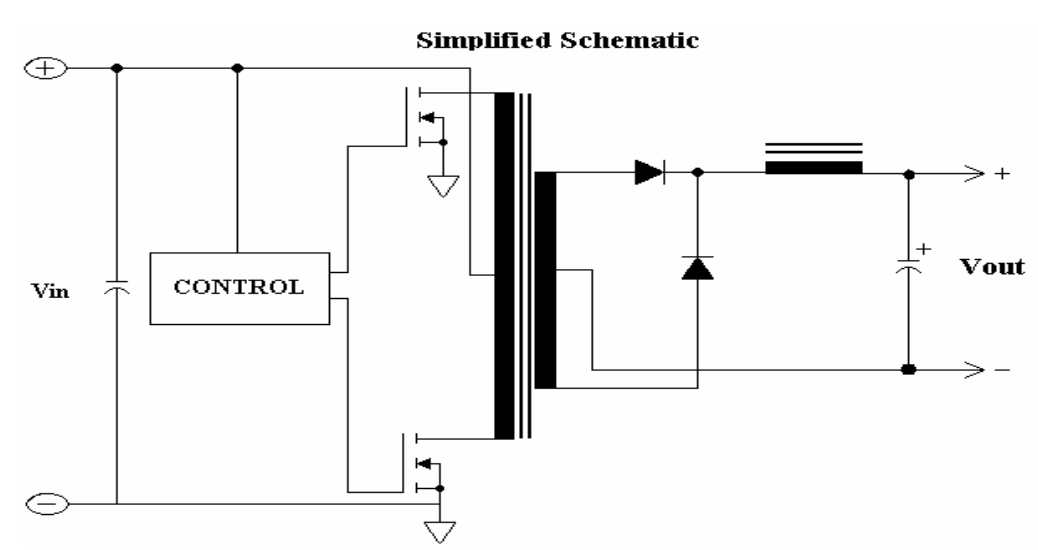
1. Telecommunications
2. Battery Powered Systems
3. Transportation Equipment
4. Portable Instruments
5. Distributed Power Systems



Specification At 25°C

Input Specifications:
Input Voltage Range: $\pm 5\%$
Input Filter: Internal Capacitor
Output Specifications:
Output Voltage & Current: See Table
Voltage Accuracy: $\pm 5\%$ max
Output Voltage Balance(Dual Outputs): $\pm 1\%$ max.
Line Regulation(at full load): $\pm 1\%$ max
Line Regulation(at full load): $\pm 1.3\%$ max.(Per 1.0% change in input change)
Load Regulation (at full load to 1/4 load): $\pm 12\%$ max.
Temperature Coefficient: $\pm 0.05\%$ / °C max
Ripple & Noise(20MHz BW): 1% p-p max

General Specifications:
Isolation Voltage:1000Vdc
Efficiency: See Table
Switching Frequency: 100KHz typical
Isolation Resistance: 1000M ohm
Environmental Specifications:
Operating Temperature: -25 to +71°C
Storage Temperature: -40 to +105°C
Cooling: Free air convection
Humidity Non-Condensing: 20 to 95% RH
Physical Specifications:
Case Material:Non-Conductive Plastic Case
Weight: 2.5Grams Typical



TAIMAG

Ordering Information:

T	10	A	D	010	—	05	S	05
Company	Isolation Voltage	Input Vol. Model	Package	Output Watt		Input Voltage	Output Model	Output Voltage
TAIMAG	05=500,10=1000 15=1500,20=2000	A=±5%~10% B=2:1,C=4:1	S=Single D=Dual,SM=SMD	010=1Watt		05=5V±5% Or 9-18V	S=Single D=Dual	05=5V

Electrical Specification:

Model	Input			Output		Efficiency Typical % (a)	Package
	Voltage (Vdc)	Current(mA)		Voltage (Vdc)	Current (mA)		
		No-Load	Full-Load				
T10AD005-05S3.3	5	28	133	3.3	150	74	F
T10AD005-05S05	5	28	135	5	100	74	F
T10AD005-05S12	5	42	28	12	42	76	F
T10AD010-05S3.3	5	30	267	3.3	300	74	F
T10AD010-05S05	5	30	253	5	200	79	F
T10AD010-05S12	5	30	307	12	100	78	F
T10AD010-05D05	5	30	263	±5	±100	76	F
T10AD010-05D12	5	30	253	±12	±42	79	F
T10AD010-05D15	5	30	255	±15	±34	80	F
T10AD005-12S05	12	18	56	5	100	74	F
T10AD010-12S12	12	18	55	12	42	76	F
T10AD010-12S05	12	18	105	5	200	79	F
T10AD010-12S12	12	18	105	12	83	79	F
T10AD010-12D05	12	18	104	±5	±100	80	F
T10AD010-12D12	12	18	104	±12	±42	80	F
T10AD005-24S05	24	5	29	5	100	72	F
T10AD010-24S05	24	5	54	5	200	77	F
T10AD010-24D05	24	5	55	±5	±100	76	F
T10AD010-24D12	24	4	55	±12	±42	76	F
T10AD010-24D15	24	4	55	±15	±34	76	F

(a) Efficiency is specified at nominal input voltage and full load

Dimensions: Unit=mm±0.25

Pin Connections		
Pin Number	SM Series	
	Single	DUAL
1	-Input	-Input
4	+Input	+Input
5	+Output	+Output
7	-Output	Common
8	NC	-Output
2&3&6	NC	NC

Package F:

