

1.8 Watt / 16Pins SMD / 500Vdc Isolation / Package B Series

FEATURES:

1. High Reliable, High Performance
2. 16Pins SMD Package
3. 500Vdc Input/Output Isolation
4. Transfer Molded Type
5. Low Profile and Compact Size

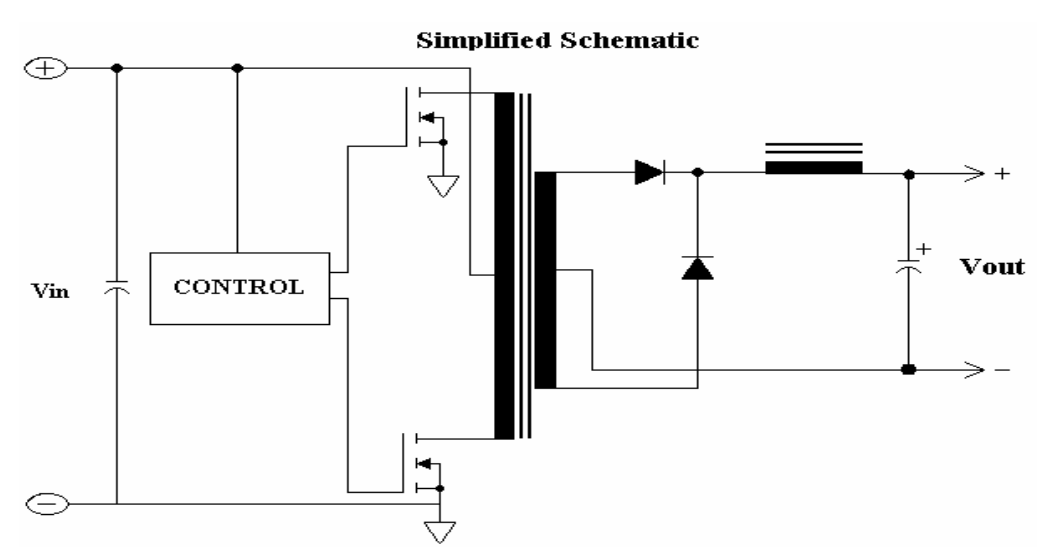
APPLICATIONS:

1. Telecommunications
2. Battery Powered Systems
3. Transportation Equipment
4. Portable Instruments
5. Distributed Power Systems



Specification At 25°C

Input Specifications:	General Specifications:
Input Voltage Range: $\pm 5\%$	Isolation Voltage: 500Vdc
Input Filter: Internal Capacitor	Efficiency: See Table
Output Specifications:	Switching Frequency: 25KHz typical
Output Voltage & Current: See Table	Isolation Resistance: 1000M ohm
Voltage Accuracy: $\pm 3\%$ max	Environmental Specifications:
	Operating Temperature: -25 to +71°C
Line Regulation(at full load): $\pm 1\%$ max	Storage Temperature: -40 to +105°C
Load Regulation (at full load to 1/4 load):	Cooling: Free air convection
$\pm 5\%$ max	Humidity Non-Condensing: 20 to 95% RH
Temperature Coefficient: $\pm 0.05\%$ / °C max	Physical Specifications:
Ripple & Noise(20MHz BW): 1% p-p max	Case Material: Non-Conductive Plastic Case
Short Circuit Protection: Momentary	Weight: 14Grams Typical



Ordering Information:

T	05	A	SM	018	—	05	S	05
Company	Isolation Voltage	Input Vol. Model	Package	Output Watt		Input Voltage	Output Model	Output Voltage
TAIMAG	05=500,10=1000	A=±5%~10%	S=Single	018=1.8Watt		05=5V±5%	S=Single	05=5V
	15=1500,20=2000	B=2:1,C=4:1	D=Dual,SM=SMD			Or 9-18V	D=Dual	

Electrical Specification:

Model	Input			Output		Efficiency Typical % (a)	Package
	Voltage (Vdc)	Current(mA)		Voltage (Vdc)	Current (mA)		
		No-Load	Full-Load				
T05ASM010-05S05	5	30	286	5	200	69	B
T05ASM018-05S05	5	30	515	5	360	69	B
T05ASM018-05S09	5	30	480	9	200	75	B
T05ASM018-05S12	5	30	480	12	150	75	B
T05ASM018-05S15	5	30	480	15	120	75	B
T05ASM018-12S05	12	20	214	5	360	70	B
T05ASM018-12S09	12	20	200	9	200	75	B
T05ASM018-12S12	12	20	200	12	150	75	B
T05ASM018-12S15	12	20	200	15	120	75	B

(a) Efficiency is specified at nominal input voltage and full load

Dimensions: Unit=mm±0.25

Pin Connections	
Pin Number	Package B:
	Single
1	-Input
3	+Input
7	+Output
8	-Output

Package B:

