

## 3 Watt / 24Pins DIL / 500Vdc Isolation

### FEATURES:

1. Low Cost, High Performance
2. Miniature DIL Package
3. 500Vdc Input/Output Isolation
4. No External Components Required
5. Low Profile and Compact Size

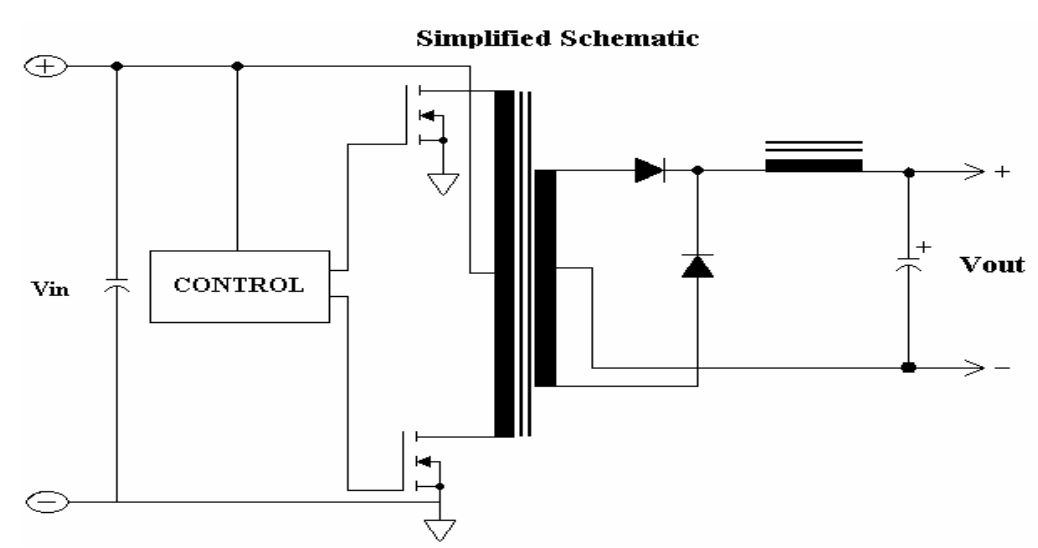
### APPLICATIONS:

1. Telecommunications
2. Battery Powered Systems
3. Transportation Equipment
4. Portable Instruments
5. Distributed Power Systems



### Specification At 25°C

| Input Specifications:  | General Specifications:                                      |
|--|--|
| Input Voltage Range: $\pm 10\%$                              | Isolation Voltage: 500Vdc                                    |
| Input Filter: Internal Capacitor                             | Efficiency: See Table  |
| Output Specifications:                                       | Switching Frequency: 25KHz typical                           |
| Output Voltage & Current: See Table                          | Isolation Resistance: 1000M ohm                              |
| Voltage Accuracy: $\pm 3\%$ max                              | Environmental Specifications:                                |
| Output Voltage Balance (Dual Outputs): $\pm 1\%$             | Operating Temperature: $-25$ to $+71^\circ\text{C}$          |
| Line Regulation (at full load): $\pm 1\%$ max                | Storage Temperature: $-40$ to $+105^\circ\text{C}$           |
| Load Regulation (at full load to 1/4 load):                  | Cooling: Free air convection                                 |
| $\pm 5\%$ max  | Humidity Non-Condensing: 20 to 95% RH                        |
| Temperature Coefficient: $\pm 0.05\%$ / $^\circ\text{C}$ max | Physical Specifications:                                     |
| Ripple & Noise (20MHz BW): 1% p-p max                        | Case Material: Nickel-Coated Copper With Non-Conductive Base |
| Short Circuit Protection: Momentary                          | Weight: 15 Grams Typical                                     |



## Ordering Information:

| T       | 05                                | A                        | D                         | 030         | — | 05                   | S                  | 05             |
|---------|-----------------------------------|--------------------------|---------------------------|-------------|---|----------------------|--------------------|----------------|
| Company | Isolation Voltage                 | Input Vol. Model         | Package                   | Output Watt |   | Input Voltage        | Output Model       | Output Voltage |
| TAIMAG  | 05=500,10=1000<br>15=1500,20=2000 | A=±5%~10%<br>B=2:1,C=4:1 | S=Single<br>D=Dual,SM=SMD | 030=3Watt   |   | 05=5V±5%<br>Or 9-18V | S=Single<br>D=Dual | 05=5V          |

## Electrical Specification:

| Model          | Input            |             |           | Output           |                 | Efficiency<br>Typical %<br>(a) | Package<br>External Fuse<br>(b) |
|----------------|------------------|-------------|-----------|------------------|-----------------|--------------------------------|---------------------------------|
|                | Voltage<br>(Vdc) | Current(mA) |           | Voltage<br>(Vdc) | Current<br>(mA) |                                |                                 |
|                |                  | No-Load     | Full-Load |                  |                 |                                |                                 |
| T05AD030-05S05 | 5                | 110         | 1000      | 5                | 600             | 60                             | H/I ,2                          |
| T05AD030-05S09 | 5                | 80          | 780       | 9                | 300             | 69                             | H/I ,2                          |
| T05AD030-05S12 | 5                | 110         | 1000      | 12               | 250             | 60                             | H/I ,2                          |
| T05AD030-05S15 | 5                | 120         | 950       | 15               | 200             | 63                             | H/I ,2                          |
| T05AD030-05D12 | 5                | 80          | 930       | ±12              | ±125            | 64                             | H/I ,2                          |
| T05AD030-05D15 | 5                | 105         | 1000      | ±15              | ±100            | 60                             | H/I ,2                          |
| T05AD030-12S05 | 12               | 30          | 400       | 5                | 600             | 62                             | H/I ,1                          |
| T05AD030-12S09 | 12               | 40          | 375       | 9                | 300             | 60                             | H/I ,1                          |
| T05AD030-12S12 | 12               | 30          | 400       | 12               | 250             | 62                             | H/I ,1                          |
| T05AD030-12D12 | 12               | 40          | 400       | ±12              | ±125            | 62                             | H/I ,1                          |
| T05AD030-12D15 | 12               | 45          | 400       | ±15              | ±100            | 62                             | H/I ,1                          |
| T05AD030-24S05 | 24               | 20          | 195       | 5                | 600             | 64                             | H/I ,0.5                        |
| T05AD030-24S12 | 24               | 30          | 205       | 12               | 250             | 60                             | H/I ,0.5                        |
| T05AD030-24S15 | 24               | 25          | 210       | 15               | 200             | 59                             | H/I ,0.5                        |
| T05AD030-24D12 | 24               | 20          | 185       | ±12              | ±125            | 67                             | H/I ,0.5                        |
| T05AD030-24D15 | 24               | 20          | 195       | ±15              | ±100            | 64                             | H/I ,0.5                        |
| T05AD030-48S05 | 48               | 10          | 94        | 5                | 600             | 66                             | H/I ,0.2                        |
| T05AD030-48S12 | 48               | 10          | 92        | 12               | 250             | 67                             | H/I ,0.2                        |
| T05AD030-48S15 | 48               | 15          | 100       | 15               | 200             | 62                             | H/I ,0.2                        |
| T05AD030-48D12 | 48               | 15          | 98        | ±12              | ±125            | 63                             | H/I ,0.2                        |
| T05AD030-48D15 | 48               | 15          | 110       | ±15              | ±100            | 56                             | H/I ,0.2                        |

(a) Efficiency is specified at nominal input voltage and full load.

(b) Certain applications may require the installation of external fuse in front of the input.

Dimensions: Unit=mm±0.25

| Pin Connections |             |         |
|-----------------|-------------|---------|
| Pin Number      | Package H/I |         |
|                 | Single      | Dual    |
| 1&24            | +Input      | +Input  |
| 2&23            | NC          | -Output |
| 3&22            | NC          | COM     |
| 10&15           | -Output     | COM     |
| 11&14           | +Output     | +Output |
| 12&13           | -Input      | -Input  |

