

TAIMAG

3 Watt / 24Pins DIL / 500Vdc Isolation/2:1 Input Range

FEATURES:

1. Low Cost, High Performance
2. Miniature DIL Package And 2:1 Input Range
3. 500Vdc Input/Output Isolation
4. No External Components Required
5. Low Profile and Compact Size

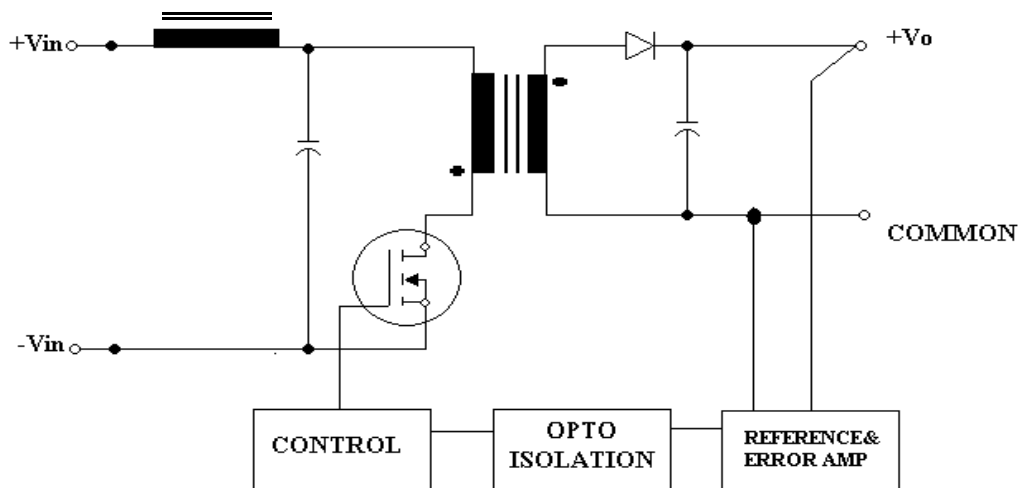
APPLICATIONS:

1. Telecommunications
2. Battery Powered Systems
3. Transportation Equipment
4. Portable Instruments
5. Distributed Power Systems



Specification At 25°C

Input Specifications:	General Specifications:
Input Voltage Range: See Table	Isolation Voltage:500Vdc
Input Filter: LC Type	Efficiency: See Table
Output Specifications:	Switching Frequency: 25KHz typical
Output Voltage & Current: See Table	Isolation Resistance: 1000M ohm
Voltage Accuracy: $\pm 3\%$ max	Environmental Specifications:
Output Voltage Balance(Dual Outputs): $\pm 1\%$	Operating Temperature: -25 to +71°C
Line Regulation(at full load): $\pm 1\%$ max	Storage Temperature: -40 to +105°C
Load Regulation (at full load to 1/4 load):	Cooling: Free air convection
Single Output: $\pm 1\%$ max ,Dual Output: $\pm 2.5\%$ max	Humidity Non-Condensing: 20 to 95% RH
Temperature Coefficient: $\pm 0.05\%$ / °C max	Physical Specifications:
Ripple & Noise(20MHz BW): 1% p-p max	Case Material:Nickel-Coated Copper With Non-Conductive Base
Short Circuit Protection: Power Fold Back	Weight: 15 Grams Typical
Over Load Protection:Build-in	



Simplified Schematic



Ordering Information:

T	05	B	D	030	—	05	S	05
Company	Isolation Voltage	Input Vol. Model	Package	Output Watt		Input Voltage	Output Model	Output Voltage
TAIMAG	05=500,10=1000 15=1500,20=2000	A=±5%~10% B=2:1,C=4:1	S=Single D=Dual,SM=SMD	030=3Watt 025=2.5Watt		05=5V±5% Or 9-18V	S=Single D=Dual	05=5V

Electrical Specification:

Model	Input			Output		Efficiency Typical % (a)	Package External Fuse (b)
	Voltage (Vdc)	Current(mA)		Voltage (Vdc)	Current (mA)		
		No-Load	Full-Load				
T05AD025-05S05	4.5-6.0	60	770	5	500	64	H/I ,2
T05AD030-05S12	4.5-6.0	170	930	12	250	64	H/I ,2
T05AD030-05S15	4.5-6.0	140	880	15	200	68	H/I ,2
T05AD025-05D05	4.5-6.0	140	810	±5	±250	61	H/I ,2
T05AD030-05D12	4.5-6.0	180	900	±12	±125	66	H/I ,2
T05AD030-05D15	4.5-6.0	180	1000	±15	±100	60	H/I ,2
T05BD025-12S05	9-18	35	320	5	500	65	H/I ,1
T05BD030-12S12	9-18	30	340	12	250	73	H/I ,1
T05BD030-12S15	9-18	40	340	15	200	73	H/I ,1
T05BD025-12D05	9-18	140	340	±5	±250	61	H/I ,1
T05BD030-12D12	9-18	75	360	±12	±125	69	H/I ,1
T05BD030-12D15	9-18	70	360	±15	±100	69	H/I ,1
T05BD025-24S05	18-36	15	140	5	500	74	H/I ,0.5
T05BD030-24S12	18-36	20	180	12	250	69	H/I ,0.5
T05BD030-24S15	18-36	20	170	15	200	73	H/I ,0.5
T05BD025-24D05	18-36	30	160	±5	±250	65	H/I ,0.5
T05BD030-24D12	18-36	30	190	±12	±125	65	H/I ,0.5
T05BD030-24D15	18-36	40	180	±15	±100	69	H/I ,0.5
T05BD025-48S05	36-72	15	85	5	500	61	H/I ,0.2
T05BD030-48S12	36-72	20	90	12	250	69	H/I ,0.2
T05BD030-48S15	36-72	10	95	15	200	65	H/I ,0.2
T05BD025-48D05	36-72	20	80	±5	±250	65	H/I ,0.2
T05BD030-48D12	36-72	20	85	±12	±125	73	H/I ,0.2
T05BD030-48D15	36-72	20	90	±15	±100	69	H/I ,0.2

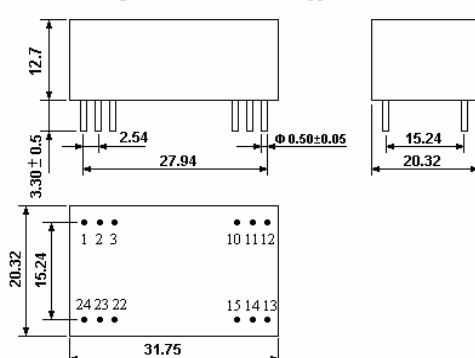
(a) Efficiency is specified at nominal input voltage and full load.

(b) Certain applications may require the installation of external fuse in front of the input.

Dimensions: Unit=mm±0.25

Pin Connections		
Pin Number	Package H/I	
	Single	Dual
1&24	+Input	+Input
2&23	NC	-Output
3&22	NC	COM
10&15	-Output	COM
11&14	+Output	+Output
12&13	-Input	-Input

Package H: Nickel-Coated Copper Base



Package I: Non-Conductive Plastic Case

