

TAIMAG

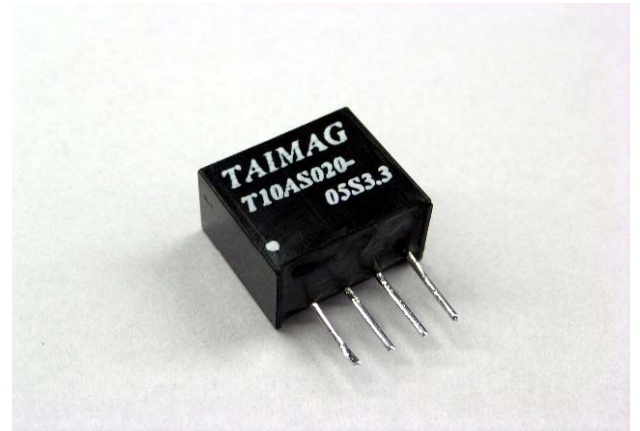
0.5~1Watt / 4Pin SIP / 1000Vdc Isolation

FEATURES:

1. High Reliable, High Performance
2. 4Pin SIP Package
3. 1000Vdc Input/Output Isolation
4. No External Components Required
5. Low Profile and Compact Size

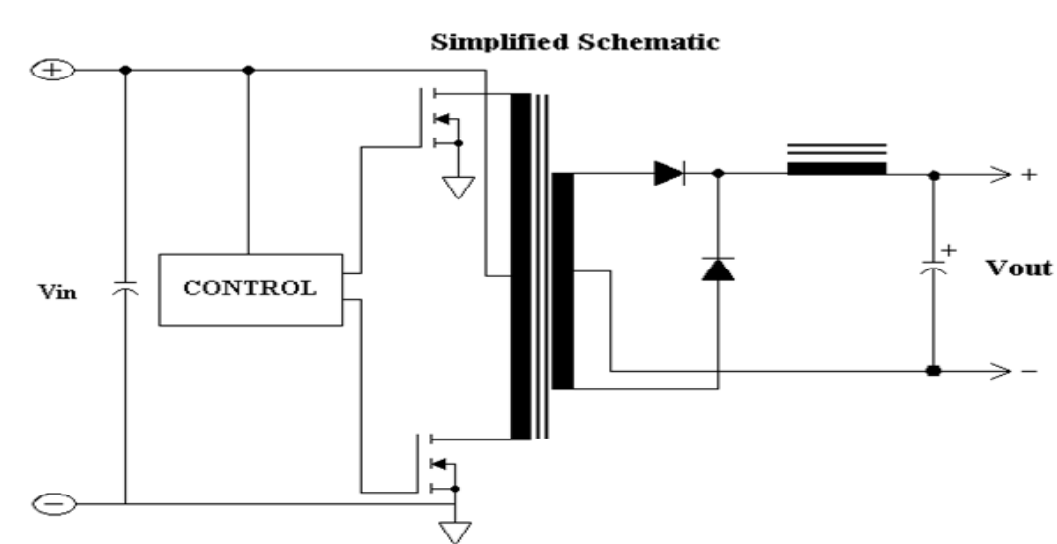
APPLICATIONS:

1. Telecommunications
2. Battery Powered Systems
3. Transportation Equipment
4. Portable Instruments
5. Distributed Power Systems



Specification At 25°C

Input Specifications:	General Specifications:
Input Voltage Range: $\pm 5\%$	Isolation Voltage: 1000Vdc
Input Filter: Internal Capacitor	Efficiency: See Table
Output Specifications:	Switching Frequency: 100KHz typical
Output Voltage & Current: See Table	Isolation Resistance: 1000M ohm
Voltage Accuracy: $\pm 5\%$ max	Environmental Specifications:
Output Voltage Balance (Dual Outputs): $\pm 1\%$ max.	Operating Temperature: -25 to $+71^\circ\text{C}$
Line Regulation (at full load): $\pm 1\%$ max	Storage Temperature: -40 to $+105^\circ\text{C}$
Line Regulation (at full load): $\pm 1.3\%$ max. (Per 1.0% change in input change)	Cooling: Free air convection
Load Regulation (at full load to 1/4 load): $\pm 12\%$ max.	Humidity Non-Condensing: 20 to 95% RH
Temperature Coefficient: $\pm 0.05\%$ / $^\circ\text{C}$ max	Physical Specifications:
Ripple & Noise (20MHz BW): 1% p-p max	Case Material: Non-Conductive Plastic Case
	Weight: 2.5Grams Typical



TAIMAG

Ordering Information:

T	10	A	S	010	—	05	S	05
Company	Isolation Voltage	Input Vol. Model	Package	Output Watt		Input Voltage	Output Model	Output Voltage
TAIMAG	05=500,10=1000	A=±5%~10%	S=Single	010=1Watt		05=5V±5%	S=Single	05=5V
	15=1500,20=2000	B=2:1,C=4:1	D=Dual,SM=SMD			Or 9-18V	D=Dual	

Electrical Specification:

Model	Input			Output		Efficiency Typical % (a)	Package
	Voltage (Vdc)	Current(mA)		Voltage (Vdc)	Current (mA)		
		No-Load	Full-Load				
T10AS005-05S3.3	5	28	133	3.3	150	74	C
T10AS005-05S05	5	28	135	5	100	74	C
T10AS005-05S12	5	28	133	12	42	76	C
T10AS010-05S3.3	5	30	267	3.3	300	74	C
T10AS010-05S05	5	30	253	5	200	79	C
T10AS010-05S12	5	30	307	12	100	78	C
T10AS005-12S05	12	18	56	5	100	74	C
T10AS005-12S12	12	18	55	12	42	76	C
T10AS010-12S05	12	14	105	5	200	79	C
T10AS010-12S12	12	14	105	12	83	79	C
T10AS005-24S05	24	5	29	5	100	72	C
T10AS010-24S05	24	5	54	5	200	77	C

(a) Efficiency is specified at nominal input voltage and full load

Dimensions: Unit=mm±0.25

Pin Connections	
Pin Number	S Series
	Single
1	-Input
2	+Input
3	-Output
4	+Output

Package C:

