

TAIMAG

1Watt / 8Pins SMD / 1000Vdc Isolation / Package A

FEATURES:

1. High Reliable, High Performance
2. 8Pin SMD Package
3. 1000Vdc Input/Output Isolation
4. No External Components Required
5. Low Profile and Compact Size

APPLICATIONS:

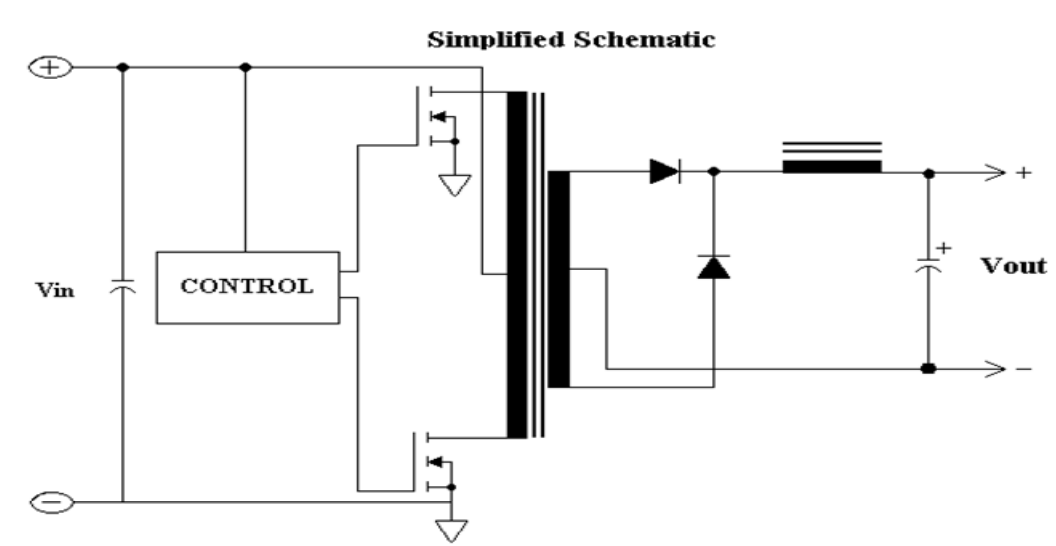
1. Telecommunications
2. Battery Powered Systems
3. Transportation Equipment
4. Portable Instruments
5. Distributed Power Systems



Specification At 25°C

Input Specifications:
Input Voltage Range: $\pm 5\%$
Input Filter: Internal Capacitor
Output Specifications:
Output Voltage & Current: See Table
Voltage Accuracy: $\pm 3\%$ max
Line Regulation(at full load): $\pm 1\%$ max
Line Regulation(at full load): $\pm 1.3\%$ max.(Per 1.0% change in input change)
Temperature Coefficient: $\pm 0.05\%$ / °C max
Ripple & Noise(20MHz BW): 1% p-p max
Short Circuit Protection: Momentary

General Specifications:
Isolation Voltage:1000Vdc
Efficiency: See Table
Switching Frequency: 100KHz typical
Isolation Resistance: 1000M ohm
Environmental Specifications:
Operating Temperature: -25 to +71°C
Storage Temperature: -40 to +105°C
Cooling: Free air convection
Humidity Non-Condensing: 20 to 95% RH
Physical Specifications:
Case Material:Non-Conductive Plastic Case
Weight: 2.5Grams Typical





Ordering Information:

T	10	A	SM	010	—	05	S	05
Company	Isolation Voltage	Input Vol. Model	Package	Output Watt		Input Voltage	Output Model	Output Voltage
TAIMAG	05=500,10=1000	A=±5%~10%	S=Single	010=1Watt		05=5V±5%	S=Single	05=5V
	15=1500,20=2000	B=2:1,C=4:1	D=Dual,SM=SMD			Or 9-18V	D=Dual	

Electrical Specification:

Model	Input			Output		Efficiency Typical % (a)	Package
	Voltage (Vdc)	Current(mA)		Voltage (Vdc)	Current (mA)		
		No-Load	Full-Load				
T10ASM010-05S3.3	5	22	286	3.3	300	69	A
T10ASM010-05S05	5	31	285	5	200	70	A
T10ASM010-05S09	5	30	267	9	110	74	A
T10ASM010-05S12	5	31	358	12	100	67	A
T10ASM010-05S15	5	35	304	15	68	67	A
T10ASM010-12S3.3	12	15	121	3.3	300	68	A
T10ASM010-12S05	12	17	120	5	200	69	A
T10ASM010-12S09	12	18	110	9	110	75	A
T10ASM010-12S12	12	18	138	12	100	72	A
T10ASM010-12S15	12	18	110	15	68	77	A

(a) Efficiency is specified at nominal input voltage and full load

Dimensions:Unit=mm±0.25

Pin Connections	
Pin Number	Package A
	Single
1	-Input
2	+Input
4	-Output
5	+Output
3&6&7&8	NC

